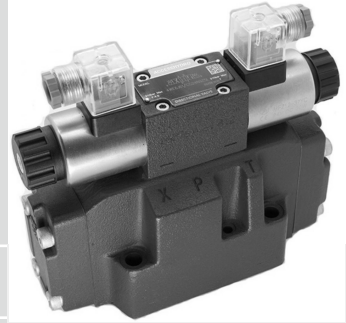


AH-WEH...Type Electro-hydraulic Directional Control Valve



AH-WEH 10, 16, 25, 32 type

Sizes 10,16,25,32

Max. Working Pressure: 315 bar

Max. Flow: 1100L/min

Contents

Function and configuration	02-05
Specification	06-07
Symbols	08-10
Technical data	11-14
Characteristic curves	15-16
Performance limit	17-18
Unit dimensions	19-25

Features

- Electro-hydraulic operation (AH-WEH)
- Valves used to control the start, stop and direction of a fluid flow
- Porting pattern conforms to DIN 24 340 form A, ISO 4401 and CETOP-RP 121 H
- Wet pin DC or AC solenoids, optional
- Hand override, optional
- Electrical connections as an individual or central connection
- Spring or pressure centered, spring or hydraulic offset.

Function and configurations

AH-WEH type valves are directional spool valves with electro-hydraulic operation. They control the start, stop and direction of a flow.

This valve consists of the main valve with housing(1), the main control spool(2), one or two return springs(3), the pilot control valve(4) with one or two solenoids(5).

The main valve spool(2) is held in the central or the initial position by the spring or by the pressure.

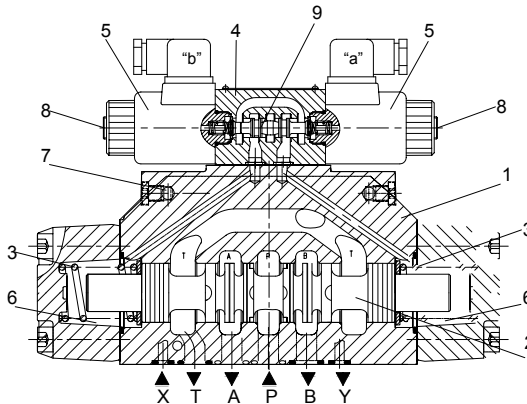
The two spring chambers(6) in the initial position are connected with the tank through the pilot control valve (4). By the control line (7), the pilot control valve is supplied with pilot oil. Supply can be implemented internally or externally (externally via port X).

When one of the main control spool(2) is pressurised by the pilot control valve(4), the spool(2) will be moved to the expected position. This gives free-flow from P to A and B to T or P to B and A to T.

The pilot oil return is implemented internally or externally. An optional manual override(8) allows for moving of the pilot control spool(9) without solenoid energization.

Main valves are 4/3-way directional valve with spring centring of the control spool.

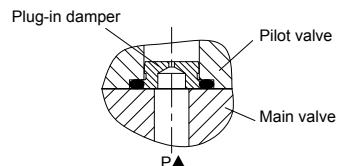
When one of the two ends of the main control spool(2) is pressurised with pilot pressure, the spool is moved to the switched position. The required ports in the valve are then opened to flow. When the pilot pressure is removed, the spring on the opposite side to the pressurised spool area causes the spool to return to its neutral or initial position.



Structure chart of spring centering electro-hydraulic directional valve

Throttle insert:

The use of a throttle insert is required if the pilot oil supply in the P channel of the pilot valve is to be limited. This throttle is inserted in the P channel of the pilot valve.



Structure chart of plug-in dampers

Function and configurations

Pilot oil supply:

1.Type AH-WEH10

(1) Conversion between internal supply and external supply:

P channel on the top of main valve bodies with M6 bolt(2) is external supply and with M6 bolt (2) dismantled is internal supply.

(2) Conversion between internal drain and external drain:

Dismounting plug screws(1) and installing M6 bolt(2) is external drain; dismantling M6 bolt(2) is internal drain.

2.Type AH-WEH16

(1) Conversion between internal supply and external supply:

Dismounting plug screw(10) form P channel on the sidesurface of main valves and installing M6 bolt(9) is internal supply. Dismounting M6 plug bolt(9) is internal supply.

(2) Conversion between internal drain and external drain:

Dismounting plug screw(10) form T hole on the top of main valves and installing M6 plug bolt(9) is internal drain. Dismounting M6 bolt(9) is external drain.

3.Type AH-WEH25

(1) Conversion between internal supply and external supply:

P channel on the top of main valve bodies with M6 bolt(6) is external supply and with M6 bolt (6) dismantled is internal supply.

(2) Conversion between internal drain and external drain:

Dismounting plug bolt(6) form T hole on the top of main valves and installing M6 plug bolt(9) is internal drain. Dismounting M6 bolt(9) is external drain.

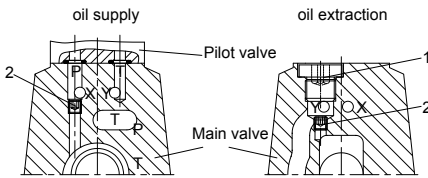
4.Type AH-WEH32

(1) Conversion between internal supply and external supply:

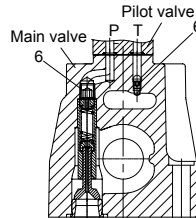
Dismounting plug screw(9) form P hole on the undersurface of main valves and installing M6 bolt(9) is internal supply. Dismounting M6 plug bolt(9) id internal supply.

(2) Conversion between internal drain and external drain:

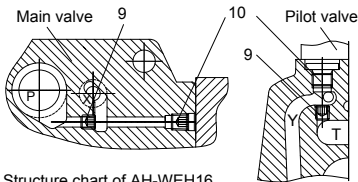
Dismounting plug screw(9) form T hole on the top of main valves and installing M6 plug bolt(9) is internal drain. Dismounting M6 bolt(9) is external drain.



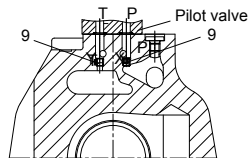
Structure chart of AH-WEH10 model supply and discharge



Structure chart of AH-WEH25 model supply and discharge



Structure chart of AH-WEH16 model supply and discharge



Structure chart of AH-WEH32 model supply and discharge

Function and configurations

Switching time adjustment:

A double throttle check valve has to be fitted between pilot valves and main valves to influence the switching time of the main valve, that controls oil supply from pilot valves into main valve spools, thus adjusting the switching time of main valves.

Regulating bolt rotation clockwise, the time for switching of main valves is long, otherwise the time is short.

The throttle check valve has two kinds: meter-in throttling and meter-out throttling. If there is a need of changing meter-in throttling into meter-out throttling, just install the valve after rotating 180° around the longitudinal axis again and then install pilot valves.

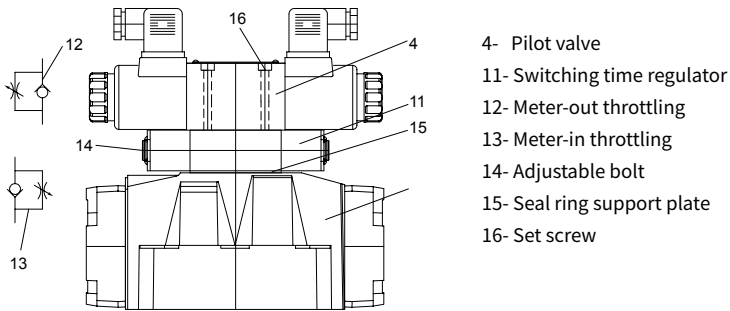
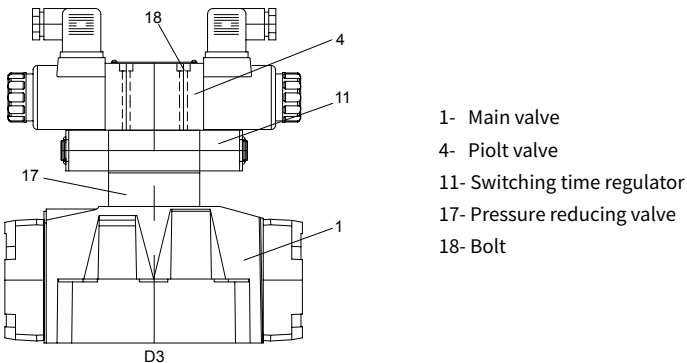


Figure of AH-WEH... S or S2 type commutating time regulator for valve installation

Pressure reducing valves:

The pressure reducing valve (8) must be used if the pilot pressure is higher than 250 bar (for type AH-4WEH 22 ...: 210 bar). Pressure reducing ratio of constant-ratio pressure reducing valves (D1) 1:0.66. Pressure reducing pressure of constant-ratio pressure reducing valves shall not exceed 40bar. Minimum control pressure of technical specifications shall improve $1/0.66=1.515$ after installing bottom plate pressure reducing valves.

Constant-ratio pressure reducing valves shall not be used when controlling internal oil drain and using back pressure valves (P0.45) with control pressure decreased to 3bar.

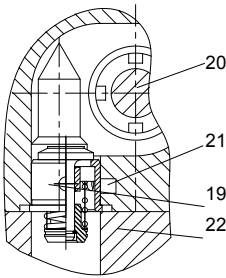


Structure chart of AH-WEH.../...S...D1 or D3 type valve with pressure reducing valves

Function and configurations

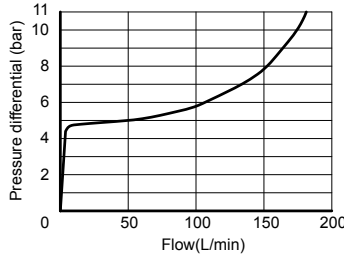
Back pressure valve:

Valves controlling oil inner supply with unloading passages, such as C, Z, G, H, P, S, T and V, In valves with zero pressure circulation and internal pilot oil supply, a back pressure valve (9) must be installed in the P-channel of the main valve to build up the minimum pilot pressure. The pressure differential of the back pressure valve must be added to the pressure differential of the main valve (see characteristic curves) in order to determine the actual value. The opening pressure of this valve is approx. 4.5 bar. NG10 valves do not have back pressure valves.

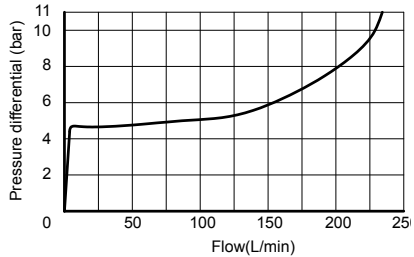


**AH-WEH16(32).../.../...PO.45 type
Structure chart of back pressure
valve of electro-hydraulic directional valve**

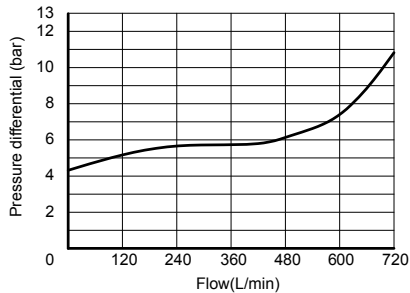
- 19- Back pressure valve
- 20- Main valve
- 21- Control oil chamber(X)
- 22- Connecting plate



Pressure loss curve of AH-WEH16 type electro-hydraulic directional valves passing through back pressure valves (Test condition:use HLP46,t=40°C ±5°C)



Pressure loss curve of AH-WEH25 type electro-hydraulic directional valves passing through back pressure valves (Test condition:use HLP46,t=40°C ±5°C)



Pressure loss curve of AH-WEH32 type electro-hydraulic directional valves passing through back pressure valves (Test condition:use HLP46,t=40°C ±5°C)

Specifications

AH		WEH10		-	50S	/													*
----	--	-------	--	---	-----	---	--	--	--	--	--	--	--	--	--	--	--	--	---

Working pressure
280bar = no code
Working pressure
350bar = H-

3 ways = 3
(For spool A and B)
4 ways = 4

Spring centering or reset = No code Hydraulic
reset = H
(only 2-position valve A,B,C,D,K,Z,Y)

See function symbols

Series 50S

When pilot valves 2-position valves of 2 solenoid
and main valves are 2-position valves of
hydraulic reset, "H" shall be indicated clearly, at
this time, when pilot valves Without spring
return = O
Without spring return with detent = OF
(O and OF do not apply to B,Y)

High-performance solenoid pilot valve = 6E
Low power solenoid pilot valve(onlyDC24V) = 6H

DC24V = G24
AC 220V, 50HZ = W220-50
The integer110V(plugZ5L) = W110R
The integer220V = W220R

With manual override buttons = N9

Control oil supply and drain Type:
external supply external drain = No code
internal supply external drain = E
internal supply and internal drain = ET
(Not available for function C, Z, F, G, H, P, T, V) external supply
internal drain = T

Further details
in clear text

No code = NBR seals
V = FKM seals

No code= without
pressure reducing valves
D3= with constant-value
pressure reducing valves

No code = without
cartridge dampers
B08= with dampers 0.8mm
B10= 1.0mm
B12= 1.2mm
B15= 1.5mm

Z4 = square plugs
(not applicable for the integer)
Z5L = square plugs with lamps
K4 =DIN4365sockets without plugs
DL =Junction boxes with lead wires
and lamps (M22×1.5 interface)

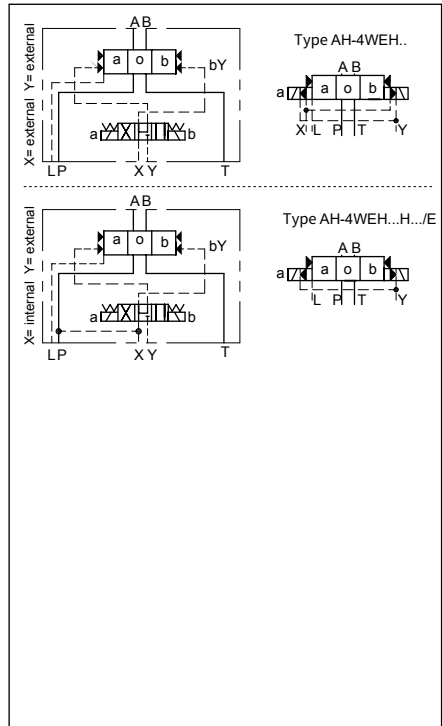
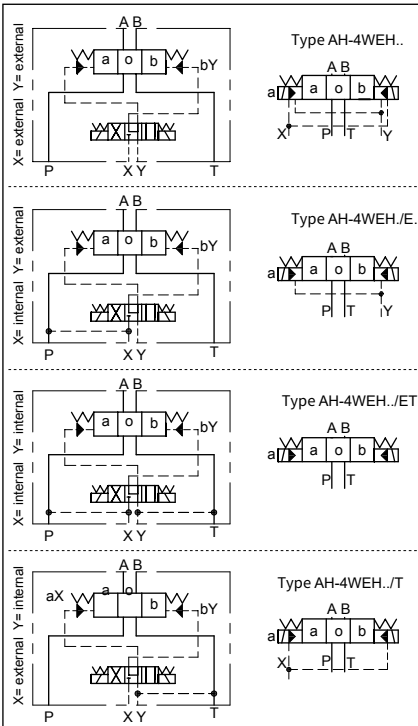
No code = Without switching time
adjustment
S = Switching time
adjustment as meter-in control
S2 = Switching time
adjustment as meter-out control

Symbols

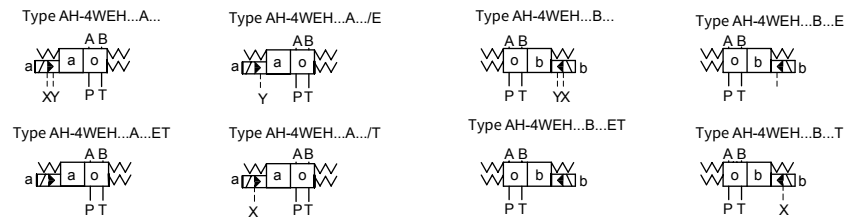
Detailed and simplified symbols for 3-position valves

Valves with spring centred

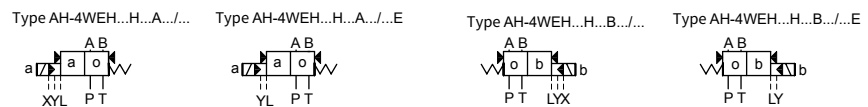
Valves with hydraulic centred



Valves with spring offset (At position A or B of 2-position valve derived from 3-position)



Valves with hydraulic offset (At position A or B of 2-position valve derived from 3-position)



Symbols

Spools of 3-position valves

3-position valve

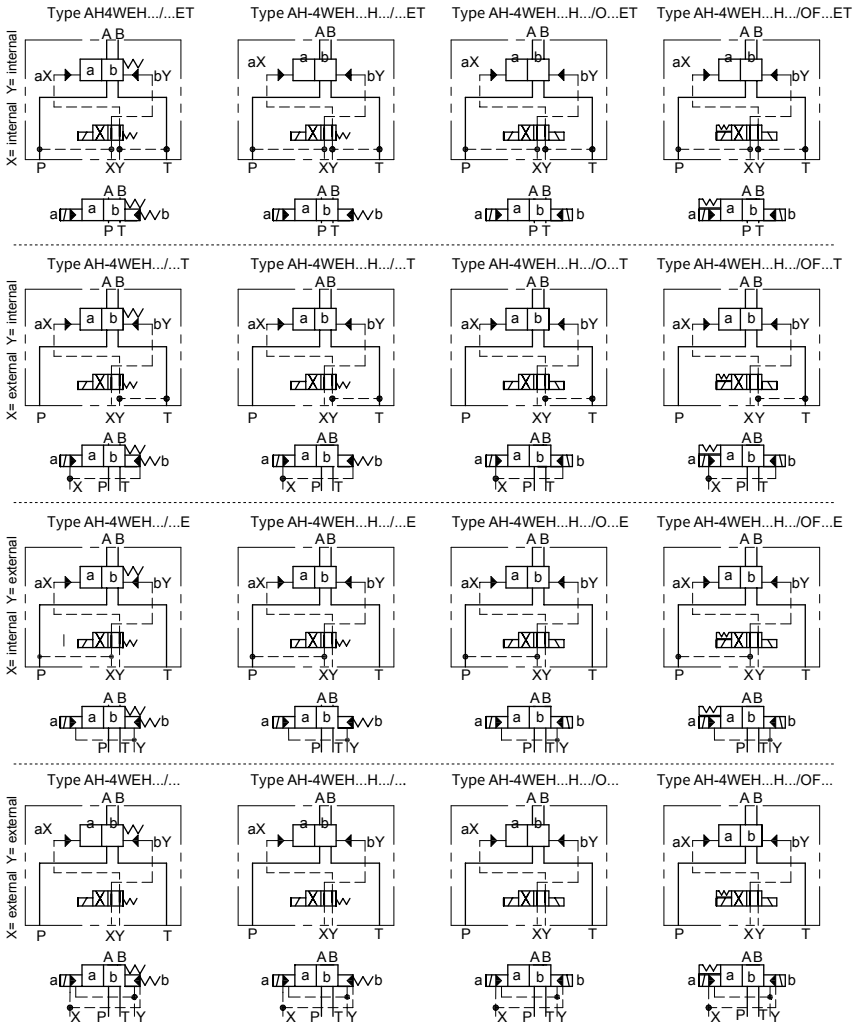
3-position valve type	Symbol	Crossover Symbol
E		
F		
G		
H		
J		
L		
M		
P		
Q		
R		
S		
T		
U		
V		
W		
M1		
M2		
J2		

2-position derivative from 3-position

2-position valve type	Symbol (solenoid at A end)	2-position valve type	Symbol (solenoid at B end)
EA		EB	
FA		FB	
GA		GB	
HA		HB	
JA		JB	
LA		LB	
MA		MB	
PA		PB	
QA		QB	
RA		RB	
SA		SB	
TA		TB	
UA		UB	
VA		VB	
WA		WB	
M1A		M1B	
M2A		M2B	
J2A		J2B	

Symbols

Detailed and simplified symbols for 2-position valves



Spools of 2-position valves

Spools:	A	C	D,DE	K	Z	B	Y,YE
Spool symbols:	a w b Port T for draining	a w b	D a w b DE a w b	a w b	a w b	a w b Port T for draining	Y a b YE a w b
Transition symbols:							

Technical details

SIZE		10	16	25	32	
Maximum working pressure: P,A,B (bar)		AH-4WEH	280	280	280	280
		AH-H-4WEH	350	350	350	350
Port T (bar)	With external pilot oil drain		315	250	250	250
	With internal pilot oil drain		DC210		AC160	
Port Y (bar)	With external pilot oil drain		DC210		AC160	
Max.control pressuer (bar)		250				
Internal pilot oil supply X(not apply to C,F,G,H,P,T,V,Z)		4.5				
Hydraulic fluid		Mineral oil, phosphate oil				
Temperature range of Hydraulic fluid		NBR seals		-30 to +80		
		FKM seals		-20 to +80		
Viscosity range (mm ² /s)						
Pilot volume for switching process (cm ³)	3-spool position valve, spring-centered		2.0	5.72	7.64	29.4
	2-spool position valve		4.0	11.45	15.28	58.8
	3-spool position valve, pressure-centered					
	-from zero position to "a" position		-	2.83	7.15	14.4
	-from "a" position to zero position		-	2.9	7.0	15.1
	-from zero position to "b" position		-	5.73	14.15	29.4
	-from "b" positiuon to zero position		-	2.83	5.73	14.4
	Pilot flow for shortest switching time, approx (L/min)		35	35	35	45
Weight, approx (kg)	Valve with one solenoid		6.4	8.5	17.8	40.5
	Valve with two solenoids, spring-centered		6.8	8.9	18.0	41.0
	Valve with two solenoids, pressure-centered		6.8	8.9	19.0	41.0
Installation position	Any(except C,D,K,Z,Y type hydraulic -return valves are installed					

Technical details

Switching time														
Size 10	From zero position to switched position(AC and DC solenoid)													
	Control pressure (bar)	70		140		210		250						
		AC	DC	AC	DC	AC	DC	AC	DC					
	3-position valve (ms)	30	65	25	80	20	55	15	50					
	2-position valve (ms)	35	80	30	75	25	70	20	65					
	3-position valve (ms)	30												
2-position valve (ms)	35	40	30	75	25	30	20	25						
Size 16	From zero position to switched position													
	Control pressure (bar)	50		150				250						
		AC	D	AC	DC		AC	DC						
	3-position valve, spring-centered	35	6	30	60		30	58						
	2-position (ms)	45	6	35	55		30	50						
	3-position valve, pressure-centered	a	b	a	b	a	b	a	b	a	b	a	b	
	(ms)	30	30	65	65	25	25	55	63	20	25	55	60	
	3-position valve (ms)	30												
	2-position valve (ms)	45	45	35	35	30	30							
	3-position valve, hydraulic-centered	a	b	a	b	a	b	a	b	a	b	a	b	
(ms)	20	20	20	20	20	20	20	20	20	20	20	20		

Technical details

Switching time																		
Size 25	Pilot control pressure	50				140				210				250				
	(bar)	AC		DC		AC		DC		AC		DC		AC		DC		
	3-position valve, spring-centered (ms)	50		85		40		75		35		70		30		65		
	2-position valve	120		160		100		130		85		120		70		105		
	3-position valve, hydraulic-centered (ms)	a	b	a	b	a	b	a	b	a	b	a	b	a	b	a	b	
		30	35	55	65	30	35	55	65	25	30	50	60	25	30	50	60	
	3-position valve																	
	2-position valve	120		125		95		100		85		90		75		80		
	3-position valve, hydraulic-centered (ms)	a	b	a	b	a	b	a	b	a	b	a	b	a	b	a	b	
		20	35	30	35	30	35	30	35	30	35	30	35	30	35	30	35	
Size 32	From zero position to switched position(AC and DC solenoid)																	
	Pilot valve pressure	50				150				250								
	(bar)	AC		DC		AC		DC		AC		DC						
	3-position valve, spring-centered (ms)	65		80		50		90		35		105						
	2-position valve	100		130		75		100		60		115						
	3-position valve, hydraulic-centered (ms)	a	b	a	b	a	b	a	b	a	b	a	b	a	b			
		55	60	100	105	40	45	85	95	35	40	85	95					
	3-position valve																	
	2-position valve	115		90		35		70		65		65						
	3-position valve, hydraulic-centered (ms)	a	b	a	b	a	b	a	b	a	b	a	b	a	b			
30		50	30	40	60	75	30	30	105	140	50	50						

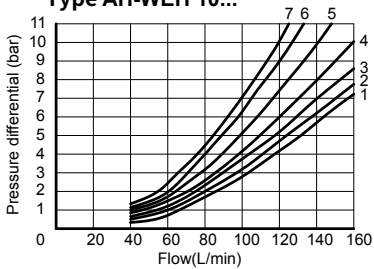
Technical details

2. Electrical data

Type of voltage	Direct voltage		Alternating voltage
Voltage (allowable fluctuation of $\pm 10\%$)	12, 24, 28 ¹⁾ , 48, 96 110, 205, 220		110, 127, 220
Power(W)	High-performance solenoid valve 30	Low-powered solenoid valve 16	
Holding power (VA)			50
Starting power (VA)			220
Operating state	Continuous		
Temperature range of environment (°C)	~ +50		
Temperature range of coil (°C)	~ +150		
Protection class to DIN40050	IP65		

Characteristic curves (Measured at t=40°C ±5°C, using HLP46)

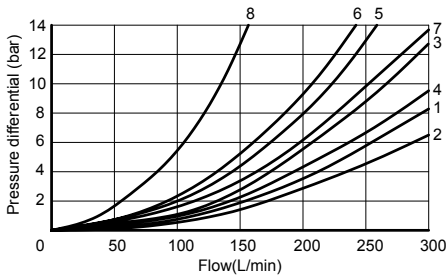
Type AH-WEH 10...



Pressure loss curve graph of **AH-WEH10**
Type electro-hydraulic directional control valve

Enginyer symbol	Switching position				Enginyer symbol	Neutral position		
	P → A	P → B	A → T	B → T		A → T	B → T	P → T
E, Y, D	2	2	4	5				
F	1	4	1	4	F	3	-	6
G, T	4	2	2	6	G, T	-	-	7
H, C	4	4	1	4	H	1	3	5
J, K	1	2	1	3				
L	2	3	1	4	L	3	-	-
M	4	4	3	4				
P	4	1	3	4	P	-	7	5
Q, V, W, Z	2	2	3	5				
R	2	2	3	-				
U	3	3	3	4	U	-	4	-

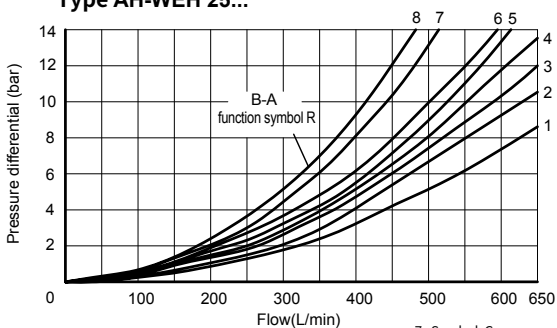
Type AH-WEH 16...



Pressure loss curve graph of **AH-WEH16**
Type electro-hydraulic directional control valve

Symbol	Switching position			
	P → A	P → B	A → T	B → T
E, Y, D	1	1	1	3
F	2	2	3	3
G, T	5	1	3	7
H, C, Q, V, Z	2	2	3	3
J, K, L	1	1	3	3
M, W	2	2	4	3
R	2	2	4	-
U	1	1	4	7
S	4	4	4	-

Type AH-WEH 25...



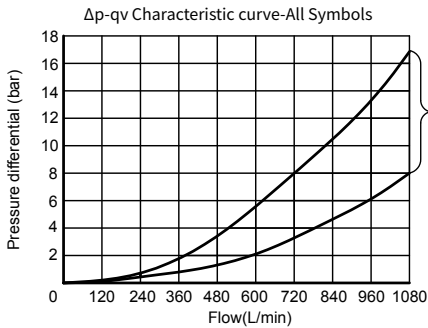
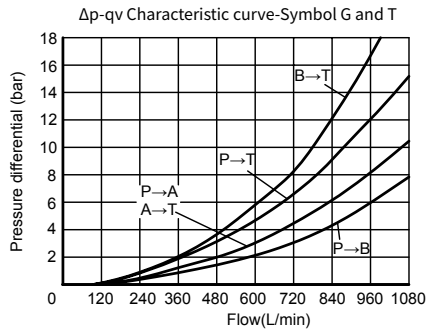
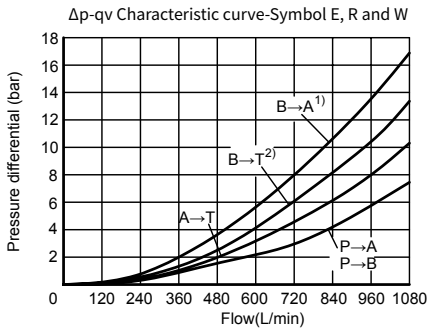
Pressure loss curve graph of **AH-WEH25**
Type electro-hydraulic directional control valve

7 Symbol G
Neutral position P-T
8 Symbol T
Neutral position P-T

Symbol	Switching position			
	P → A	P → B	A → T	B → T
E	1	1	1	3
F	1	4	3	3
G	3	1	2	4
H	4	4	3	4
J, Q	2	2	3	5
L	2	2	3	3
M	4	4	1	4
P	4	1	1	5
R	2	1	1	-
U	4	1	1	6
V	2	4	3	6
W	1	1	1	3
T	3	1	2	4

Characteristic curves (Measured at $t=40^{\circ}\text{C} \pm 5^{\circ}\text{C}$, using HLP46)

Type AH-WEH 32...



Pressure loss curve graph of **AH-WEH32**
Type electro-hydraulic directional control
valve

When valve is at the middle position, open area of all flow directions

Size	Enginery	Open area (mm^2)			
		P \rightarrow A	P \rightarrow B	A \rightarrow T	B \rightarrow T
AH-WEH10	Q	-	-	13	13
	V	13	13	13	13
	W	-	-	2.4	2.4
AH-WEH16	Q	-	-	32	32
	V	32	32	32	32
	W	-	-	6	6
AH-WEH25	Q	-	-	83	83
	V	83	83	83	83
	W	-	-	14	14
AH-WEH32	Q	-	-	78	78
	V	73	73	84	84
	W	-	-	20	20

Performance limit

The switching function of valves depends on filtration due to adhesive effects. To achieve the specified permissible flow values, we recommend full-flow filtration with 25 µm. The flow forces acting within the valves also have an influence on the flow performance. With 4-way directional valves, the specified flow data are therefore valid for normal applications with 2 directions of flow. If the fluid flows in only one direction, the permissible flow may be significantly lower in critical cases.

Type: AH-WEH10 electro-hydraulic directional control valve

3-position valve, spring centering				2-position valve, main valve without spring			
Flow(L/min)	Pressure stage(bar)			Flow(L/min)	Pressure stage(bar)		
Symbol	200	250	315	Symbol	200	250	315
E, J, L, M, Q, U, W, R, V	160			HC HD HK HZ HY	160		
H	160	150	120	HC.../O HD.../O HK.../O HZ.../O	160		
G, T	160		140	HC.../OF... HD.../OF... HK.../OF... HZ.../OF...	160		
F, P	160	140	120				
2-position valve whose main valve has a returning spring							
C, D, K, Z, Y	160						

Type: AH-WEH16 electro-hydraulic directional control valve

Spring-centering 3-position valve						2-position valve					
Flow(L/min)	Pressure stage(bar)					Flow(L/min)	Pressure stage(bar)				
Symbol	70	140	210	280	350	Symbol	70	140	210	280	350
E, H, J, L, M, Q, U, W, R	300	300	300	300	300	C	300	300	300	300	300
F, P	300	250	180	170	150	D, Y	300	270	260	250	230
G, T	300	300	240	210	190	K	300	250	240	230	210
S	300	300	300	250	220	Z	300	260	190	180	160
V	300	250	210	200	180	Hydraulic-return 2-position valve					
Hydraulic-centering 3-position valve (min.control pressure 16 bar)						HC, HD, HK, HZ, HY	300	300	300	300	300
All functions	300	300	300	300	300	When control oil is supplied internally and pressure valve is equipped, the flow of spool valve's engring of H, F, P, G, T, S, V, C and Z Types reaches 160L/min .					

Performance limit

Type: AH-WEH25 electro-hydraulic directional control valve

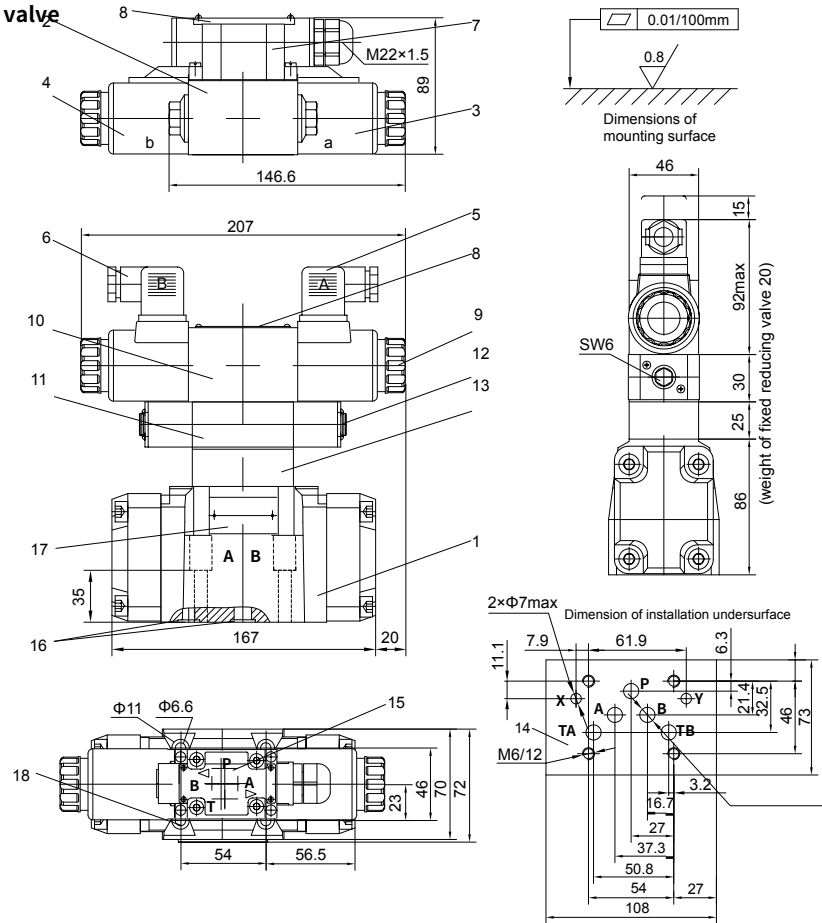
3-position valve of spring centering						2-position valve					
Flow(L/min)	Pressure stage(bar)					Flow(L/min)	Pressure stage(bar)				
Symbol	70	140	210	280	350	Symbol	70	140	210	280	350
E, L, M	650	650	650	650	650	G, D, K, Z, Y	650	650	650	650	650
U, W, Q						Hydraulic-return 2-position valve (main valve without spring)					
G, T	400	400	400	400	400	HC HD HK	650	650	650	650	650
F	650	550	430	330	300	HZ HY					
H	650	650	550	400	360	HC.../O	650	650	650	650	650
J	650	650	650	600	520	HD.../O					
P	650	550	430	330	300	HK.../O					
V	650	550	400	350	310	HZ.../O					
R	650	650	650	650	580	HC.../OF...	650	650	650	650	650
Hydraulic-centering 3-position valve (minimum control pressure 18bar)						HD.../OF...					
E, F, H, J, L, M P, Q, R, U, V, W	650	650	650	650	650	HK.../OF... HZ.../OF...					
G, T	400	400	400	400	400	When control oil is supplied internally and pressure valve is equipped, the flow of spool valve's engineering of G, Z, V, F, H, P, T Types reaches 180L/min.					
Hydraulic-centering 3-position valve (minimum control pressure 30bar)											
G, T	650	650	650	650	650						

Type: AH-WEH32 electro-hydraulic directional control valve

3-position valve of spring centering						2-position valve					
Flow(L/min)	Pressure stage(bar)					Flow(L/min)	Pressure stage(bar)				
Symbol	70	140	210	280	350	Symbol	70	140	210	280	350
E, J, L, M, R U, W, R	1100	1040	860	750	680	C, D, K, Z, Y	1100	1040	860	750	680
H, G	1100	1000	680	500	450	Hydraulic-return 2-position valve					
F, T, P	820	630	510	450	400	HC, HD, HK, HZ, HY	1100	1040	860	750	680
Hydraulic-centering 3-position valve (minimum control pressure 8.50bar)											
All functions	1100	1040	860	750	680	When control oil is supplied internally and pressure valve is equipped, the flow of spool valve's engineering of C, G, T, F, P, H, V and Z Types reaches 180L/ min.					

Unit dimensions

Unit dimensions of AH-WEH 10 electro-hydraulic directional control valve

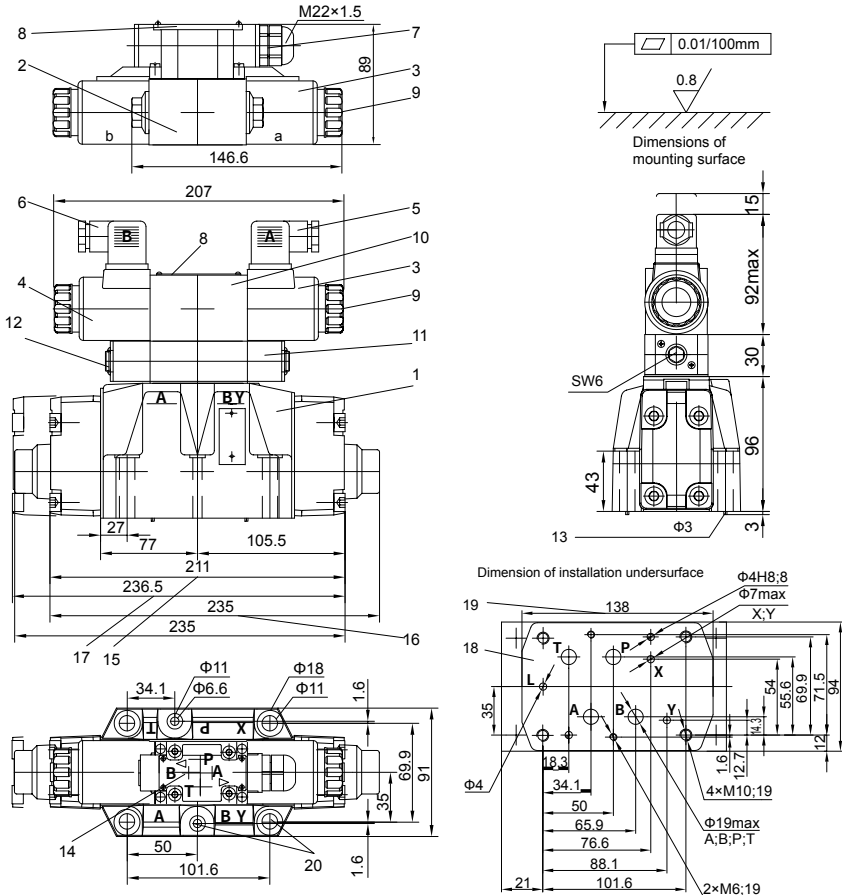


- 1 Main valve
- 2 2-position valve, with one solenoid
- 3 Solenoid a
- 4 Solenoid b
- 5 Plug of solenoid a
- 6 Plug of solenoid b
- 7 Junction box with lead and light, M22×1.5 interface
- 8 Label of pilot valve
- 9 Manual button
- 10 Double-solenoid 2-position valve, double-solenoid 3-position valve
- 11 Switching time regulator
- 12 Section flow of Switching time regulator "full open"

- 13 Reducing valve
- 14 Arrangement of main valve's oil outlets (attachment face of valve)
- 15 Position of leading oil outlet
- 16 O-ring of A, B, P and T outlets: 12×2; O-ring of X and Y: 10.82×1.78
- 17 Nameplate
- 18 Bolt4-M6×45 GB/T70.1-2000-10.9 grade Moment $M_t=15.5\text{Nm}$ (bolt of vertical stack components combined with electro-hydraulic directional valve is selected according to actual height)

Unit dimensions

Unit dimensions of AH-WEH 16 electro-hydraulic directional control valve

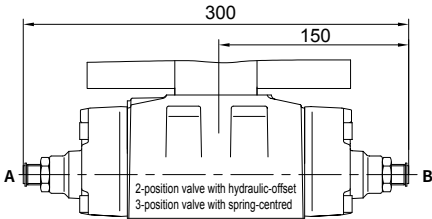
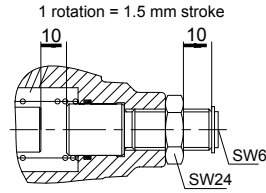


- 1 Main valve
- 2 2-position valve with one solenoid
- 3 Solenoid a
- 4 Solenoid b
- 5 Plug of solenoid a
- 6 Plug of solenoid a
- 7 Junction box with lead and light, M22×1.5 interface
- 8 Label of pilot valve
- 9 Manual button
- 10 Double-solenoid 2-position valve, Double-solenoid 3-position valve
- 11 Switching time regulator
- 12 Adjustable bolt
- 13 2 locating pins
- 14 Locating diagram of connector of pilot-operated solenoid valve
- 15 Size of spring-centering 3-position valve and hydraulic-return 2-position valve
- 16 Spring-return 2-position valve (icon sizes are C, D, K, Z engineers)
- 17 Hydraulic-centering 3-position valve
- 18 Connection diagram of main valve
- 19 Minimum size of process-required connection face of main valve
- 20 Bolt 4-M10×60 GB/T70.1-2000-10.9 grade ($M_s=75Nm$) Bolt 2-M6×55 GB/T70.1-2000-10.9 grade ($M_s=15.5Nm$) (bolt of vertical stack components combined with electro-hydraulic directional valve is selected according to actual height) must order separately.
O-ring for P, T, A, B outlets: 22×2.5; O-ring for X, Y, L outlets: 10×2

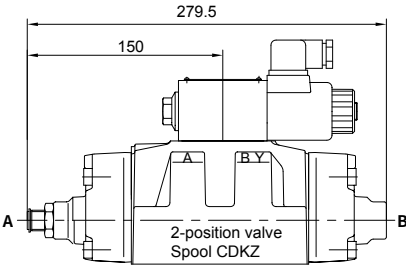
Unit dimensions

Dimension of additional devices of valve type AH-WEH16

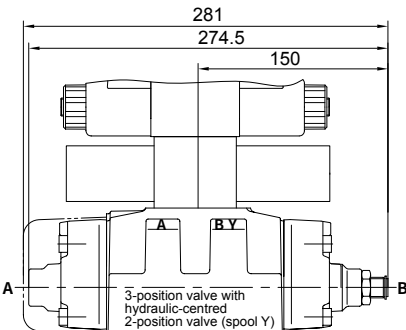
Range of stroke adjustment is 10 mm to adjust main spool stroke. Loosen the lock-up nut and rotate the rod clockwise, thus, shorten the stroke of the main spool.



- Stroke adjustment fixed on end "A" and "B" 10
- Stroke adjustment fixed on end "A" 11
- Stroke adjustment fixed on end "B" 12



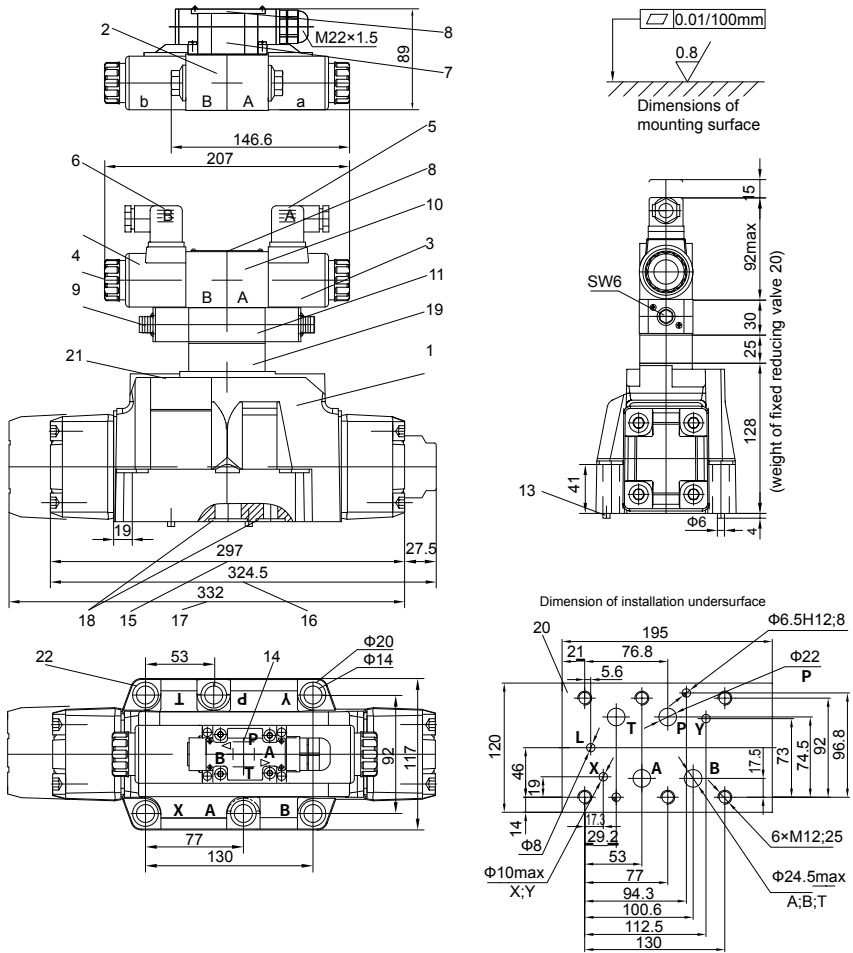
- Stroke adjustment fixed on end "A" 11



- Stroke adjustment fixed on end "B" 12

Unit dimensions

Unit dimensions of AH-WEH 25 electro-hydraulic directional control valve



- 1 Main valve
- 2 2-position valve with one solenoid
- 3 Solenoid a
- 4 Solenoid b
- 5 Plug of solenoid a
- 6 Plug of solenoid b
- 7 Junction box with lead and light, M22x1.5 interface
- 8 Label of pilot valve
- 9 Manual button
- 10 Double-solenoid 2-position valve, Double-solenoid 3-position valve
- 11 Switching time regulator
- 12 Adjustable bolt

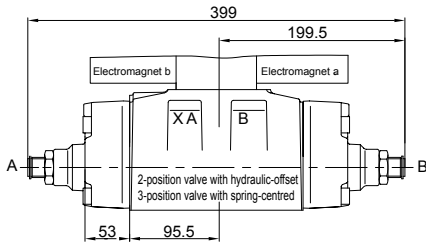
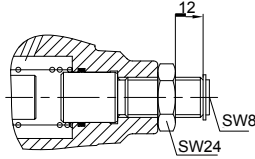
- 13 Locating pins
- 14 Locating diagram of connector of pilot
- 15 Size of spring-centering 3-position valve and hydraulic-return 2-position valve
- 16 Spring-return 2-position valve (icon sizes are C, D, K, Z functions)
- 17 Hydraulic-centering 3-position valve
- 18 O-ring: 27x3(A, B, P and T); 19x3(X, Y)
- 19 Reducing valve
- 20 Diagram of connector of main valve
- 21 Labels
- 22 Bolt-M12x60 GB/T70.1-2000-10.9 grade ($M_n=130Nm$) (bolt of vertical stack components combined with

Unit dimensions

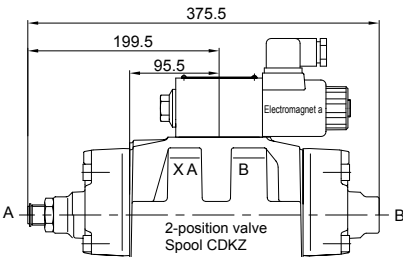
Dimension of additional devices of valve type AH-WEH25.

Range of stroke adjustment is 12 mm to adjust main spool stroke. Loosen the lock-up nut and rotate the rod clockwise, thus, shorten the stroke of the main spool.

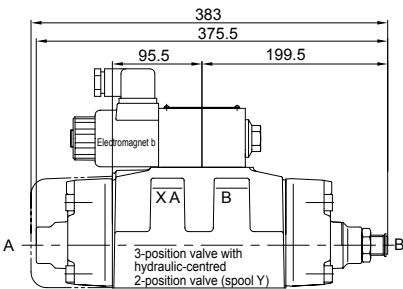
1 rotation = 1.5 mm stroke



- Stroke adjustment fixed on end "A" and "B" 10
- Stroke adjustment fixed on end "A" 11
- Stroke adjustment fixed on end "B" 12



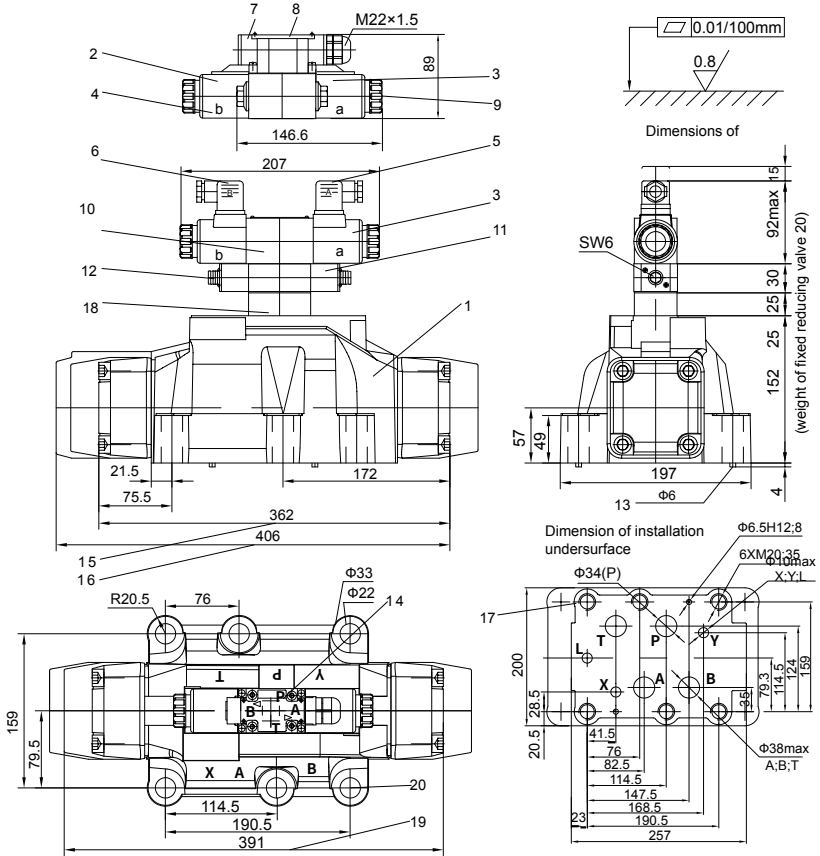
- Stroke adjustment fixed on end "A" 11



- Stroke adjustment fixed on end "B" 12

Unit dimensions

Unit dimensions of AH-WEH 32 electro-hydraulic directional control valve

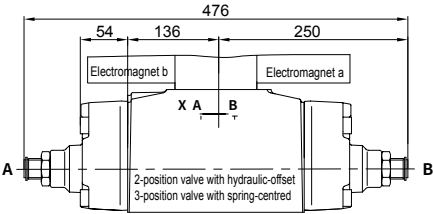
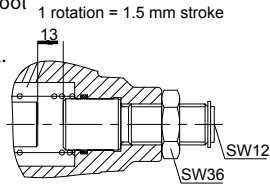


- 1 Main valve
- 2 2-position valve with one solenoid
- 3 Solenoid a
- 4 Solenoid b
- 5 Plug of solenoid a
- 6 Plug of solenoid a
- 7 Junction box with lead and light, M22×1.5 interface
- 8 Label of pilot valve
- 9 Manual button
- 10 Double-solenoid 2-position valve, Double-solenoid 3-position valve
- 11 Switching time regulator
- 12 The location when section flow full open
- 13 2 locating pins
- 14 Locating diagram of connector of pilot-operated solenoid valve
- 15 Size of spring-centering 3-position valve and hydraulic-return 2-position valve
- 16 Hydraulic-centering 3-position valve
- 17 Locating diagram of connector of main valve
- 18 Reducing valve
- 19 Spring-return 2-position valve
(Icon size is Y Type enginery.
For C, D, K, Z on the right head protruding function)
- 20 Bolt6-M20×80 GB/T70.1-2000-10.9 (M_e=430Nm)
(bolt of vertical stack components combined with electro-hydraulic directional valve is selected according to actual height)
P, T, A, B port O-rings: 42×3
X, Y, L port O-rings: 19×3

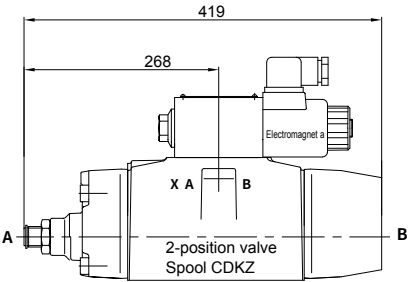
Unit dimensions

Dimension of additional devices of valve type AH-WEH32

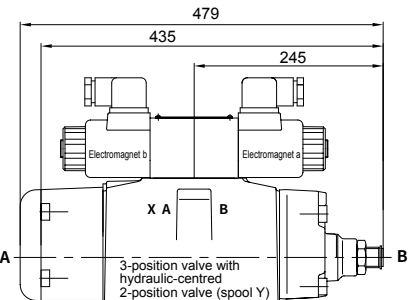
Range of stroke adjustment is 13 mm to adjust main spool stroke. Loosen the lock-up nut and rotate the rod clockwise, thus, shorten the stroke of the main spool.



- Stroke adjustment fixed on end "A" and "B" 10
- Stroke adjustment fixed on end "A" 11
- Stroke adjustment fixed on end "B" 12



- Stroke adjustment fixed on end "A" 11



- Stroke adjustment fixed on end "B" of 12