



WTM FINAL DRIVE



www.accesshydro.ru
info@accesshydro.ru
+7-499-391-05-16

WTM-02 Travel Motor



Key Features

- 2-speed swash-plate piston motor.
- Integrated with Planetary Reducer.
- Parking brake is optional.
- AKD (Auto Kick Down) is optional.
- Single speed model is optional.
- Cross-reference: PHV-1B, MAG-12V-120E, TRB44, 700 C2 K.

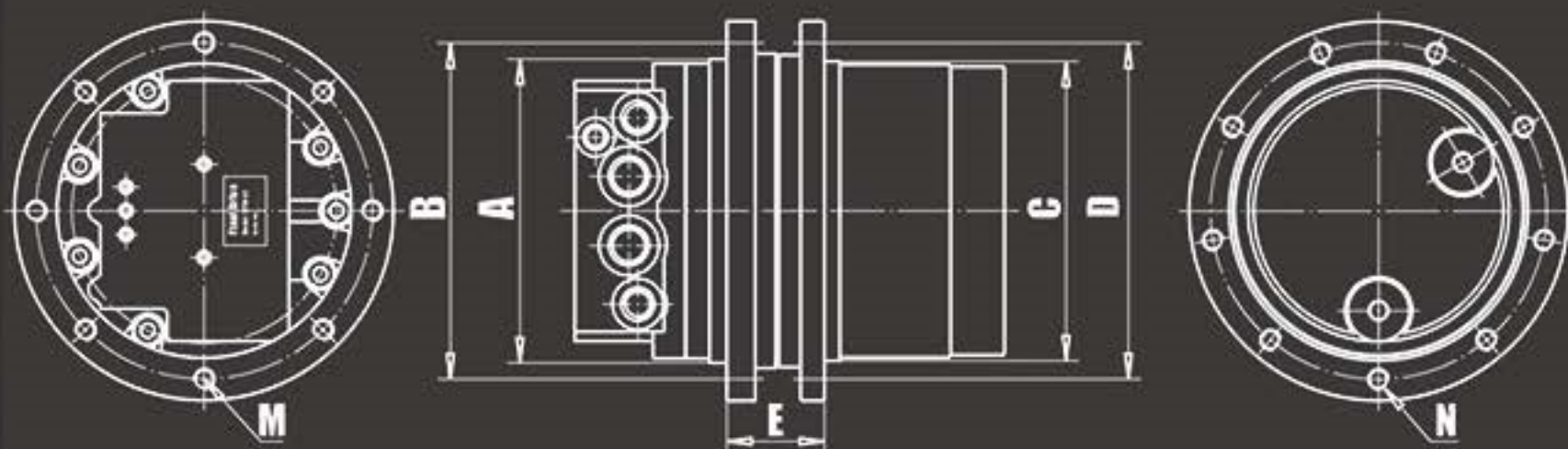


Specifications

Input flow	20 L/min	
Motor Displacement	18/12 cc/r	23.2/15.4 cc/r
Working pressure	210 bar	
2-Speed switching pressure	20~70 bar	
Ratio options	37	
Max. output torque	1500 N.m	
Max. output speed	68.5 rpm	72 rpm
Machine application	0.8~2Ton	

Connection Dimensions

Frame orientation diameter	A	140 mm	
Frame holes P.C.D.	B	155 mm	157mm
Frame bolt pattern	M	8-M10 Equally	
Sprocket orientation diameter	C	140 mm	
Sprocket holes P.C.D.	D	155 mm	157 mm
Sprocket bolt pattern	N	9-M10 Equally	8-M10 Equally
Flange distance	E	45 mm	
Approximate weight		20 kg	



Key Features



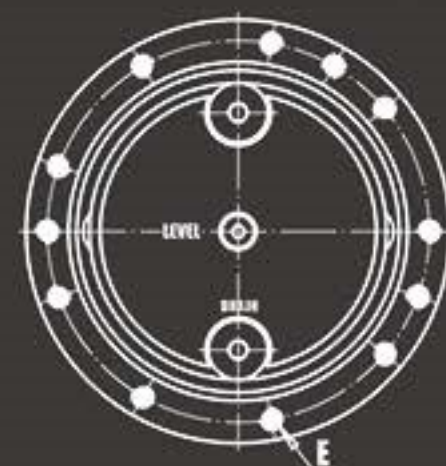
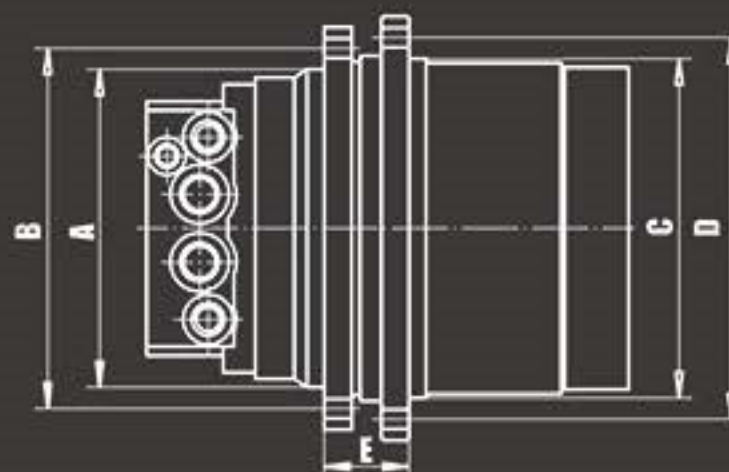
- 2-speed swash-plate piston motor.
- Integrated with Planetary Reducer.
- With Parking brake.
- AKD (Auto Kick Down) is optional.
- Single speed model is optional.
- Cross-reference: PHV-2B, MAG-18V-220, MAG-18V-230, JMV016, 700-2C2 K.

Specifications

Input flow	25 L/min		
Motor Displacement	16.1/9.1 cc/r	18/10 cc/r	
Working pressure	210 bar		
2-Speed switching pressure	20~70 bar		
Ratio options	39	31	39
Max. output torque	2100 N.m	1670 N.m	2350 N.m
Max. output speed	70 rpm	88.6 rpm	72 rpm
Machine application	1.5~2.5 Ton		

Connection Dimensions

Frame orientation diameter	A	150 mm	
Frame holes P.C.D.	B	170 mm	
Frame bolt pattern	M	8-M10 Equally	14-M10 Equally
Sprocket orientation diameter	C	160 mm	
Sprocket holes P.C.D.	D	180 mm	
Sprocket bolt pattern	N	9-M10 Equally	
Flange distance	E	40 mm	
Approximate weight	40 kg		



WTM-03D Travel Motor



Key Features

- 2-speed swash-plate piston motor.
- Integrated with Planetary Reducer.
- With Parking brake and optional freewheel.
- AKD (Auto Kick Down) is optional.
- Single speed model is optional.
- Cross-reference: PHV-3B, MAG-18V-350, JMV016(2), JMV 023, 701-2C2 K, PTM-23/14.

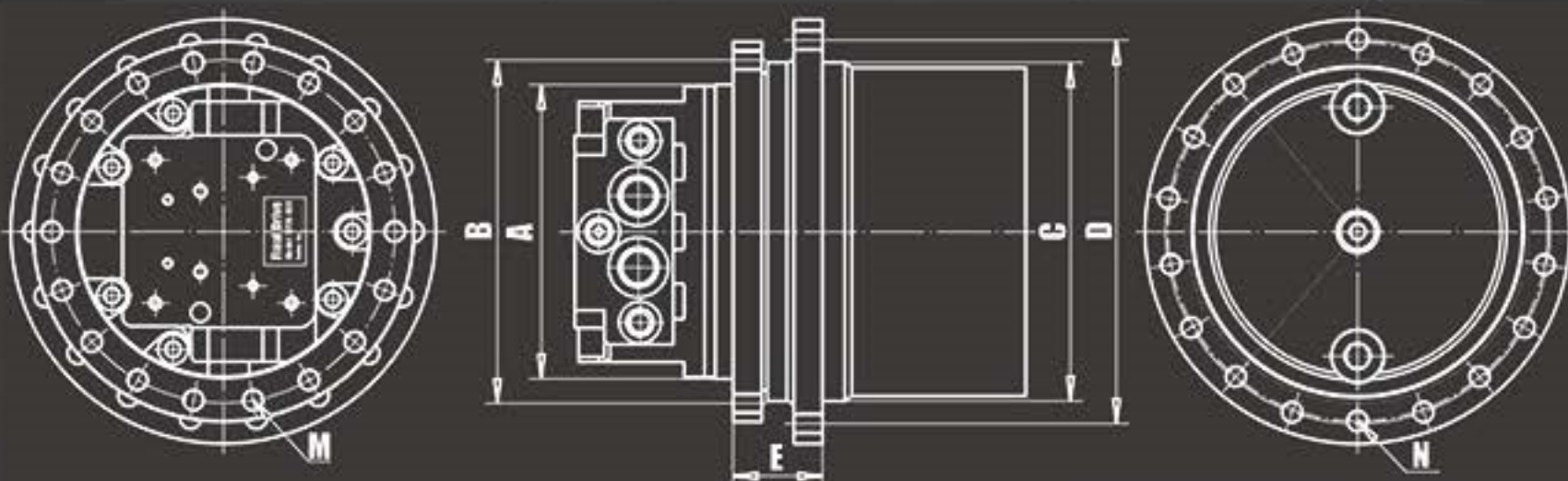


Specifications

Input flow	30 L/min		35 L/min	
Motor Displacement	18/12 cc/r	18/10 cc/r		23.2/15.4 cc/r
Working pressure	210 bar			
2-Speed switching pressure	20~70 bar			
Ratio options	48.6	53	42	53
Max. output torque	2900 N.m	3188 N.m	2520 N.m	4100 N.m
Max. output speed	68.5 rpm	57 rpm	72 rpm	43 rpm
Machine application	2.5~3.5 Ton			

Connection Dimensions

Frame orientation diameter	A	165 mm	
Frame holes P.C.D.	B	192 mm	
Frame bolt pattern	M	9 (12)-M12 Equally	9-M12 Equally
Sprocket orientation diameter	C	190 mm	204 mm
Sprocket holes P.C.D.	D	212 & 215 mm	232 mm
Sprocket bolt pattern	N	9-M12 Equally	
Flange distance	E	50 mm	
Approximate weight		40 kg	45 kg



Key Features



- 2-speed swash-plate piston motor.
- Integrated with Planetary Reducer.
- With Parking brake and optional freewheel.
- AKD (Auto Kick Down) is optional.
- Single speed model is optional.
- Cross-reference:

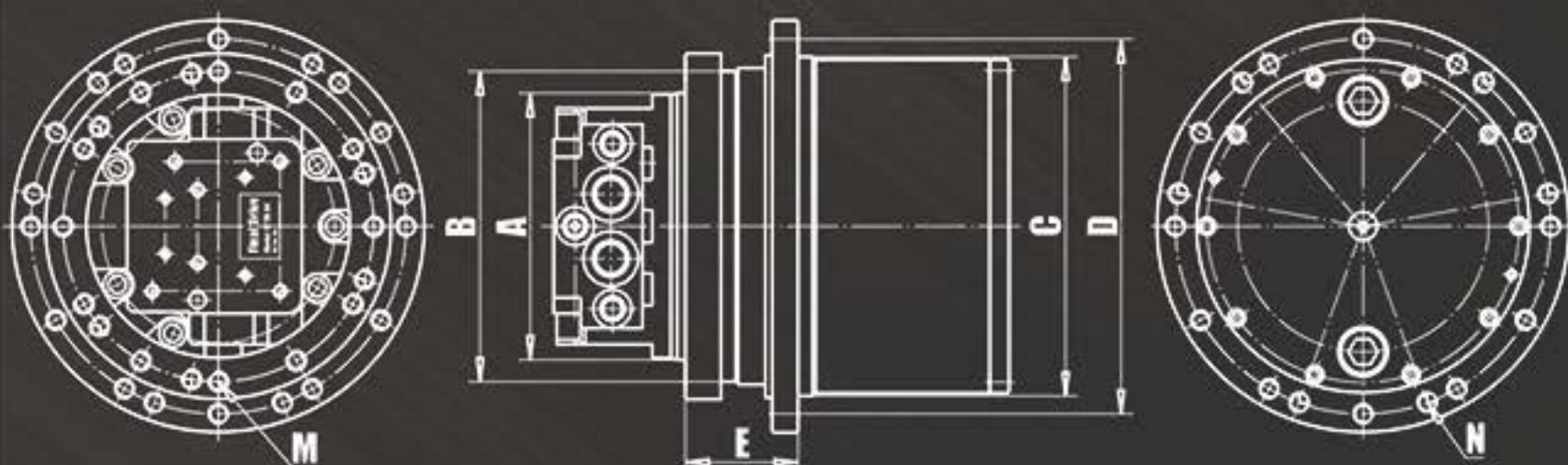
MAG-26V-400, GM04VA, 702-C2 K, PGR402.

Specifications

Input flow	40 L/min		
Motor Displacement	24/14 ccl/r		21/14 ccl/r
Working pressure	210 bar		
2-Speed switching pressure	20~70 bar		
Ratio options	52.7	37.8	52.7
Max. output torque	4200 N.m	3000 N.m	3645 N.m
Max. output speed	54 rpm	75.6 rpm	56.6 rpm
Machine application	3.5~4.5 Ton		

Connection Dimensions

Frame orientation diameter	A	165 mm		
Frame holes P.C.D.	B	192 mm		
Frame bolt pattern	M	9-M12	14-M10	
Sprocket orientation diameter	C	210 mm	204mm	
Sprocket holes P.C.D.	D	232 mm		
Sprocket bolt pattern	N	9-M12	12-M12	9 & 12-M12
Flange distance	E	70 mm		
Approximate weight	52 kg			



WTM-06 Travel Motor



Key Features

- 2-speed swash-plate piston motor.
- Integrated with Planetary Reducer.
- With Parking brake and optional freewheel.
- AKD (Auto Kick Down) is optional.
- Single speed model is optional.
- Cross-reference: PHV-4B-60B, PHV-4B-70D, DM05, GM06VA.

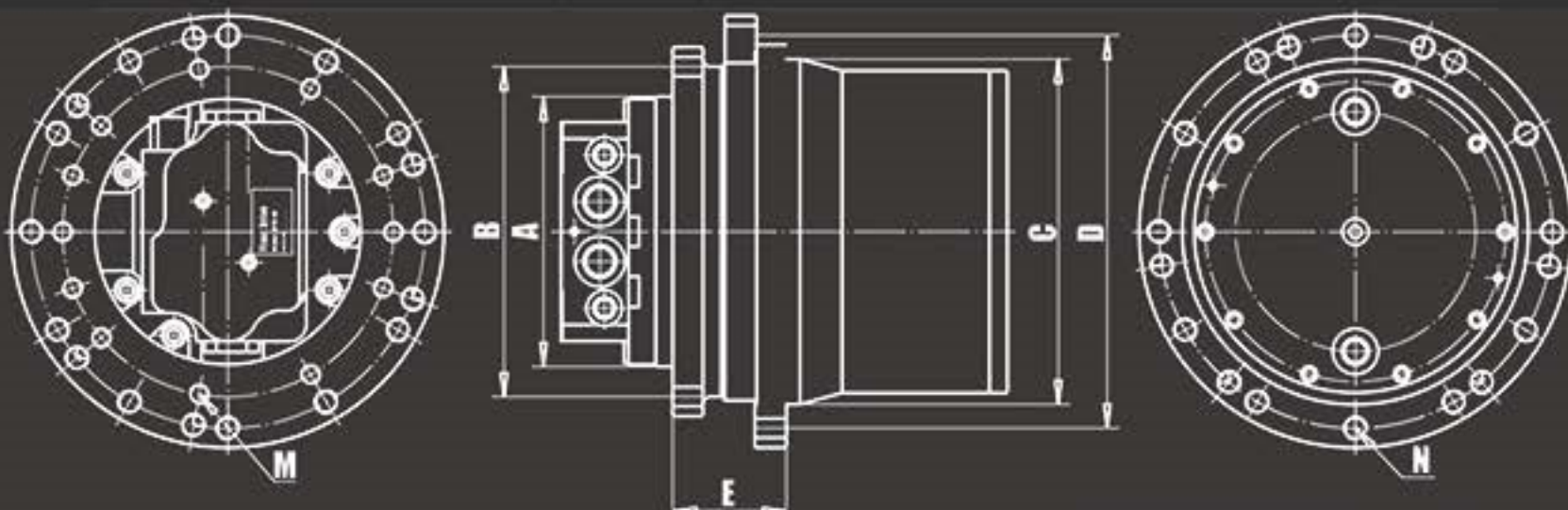


Specifications

Input flow	60 L/min		60L/min
Motor Displacement	34/19 cc/r		
Working pressure	245 bar		
2-Speed switching pressure	20~70 bar		
Ratio options	47.5	36.8	58.4
Max. output torque	6300 N.m	4800 N.m	7700 N.m
Max. output speed	55 rpm	71 rpm	54 rpm
Machine application	5~6 Ton		

Connection Dimensions

Frame orientation diameter	A	180 mm	
Frame holes P.C.D.	B	220 mm	
Frame bolt pattern	M	9-M14 Equally	
Sprocket orientation diameter	C	230 mm	
Sprocket holes P.C.D.	D	262 mm	
Sprocket bolt pattern	N	9-M14 Equally	12-M14 Equally
Flange distance	E	75 mm	
Approximate weight	70 kg		



Key Features



- 2-speed swash-plate piston motor.
- Integrated with Planetary Reducer.
- With Parking brake and optional freewheel.
- AKD (Auto Kick Down) is optional.
- Single speed model is optional.
- Cross-reference: Mag-33VP-550F,

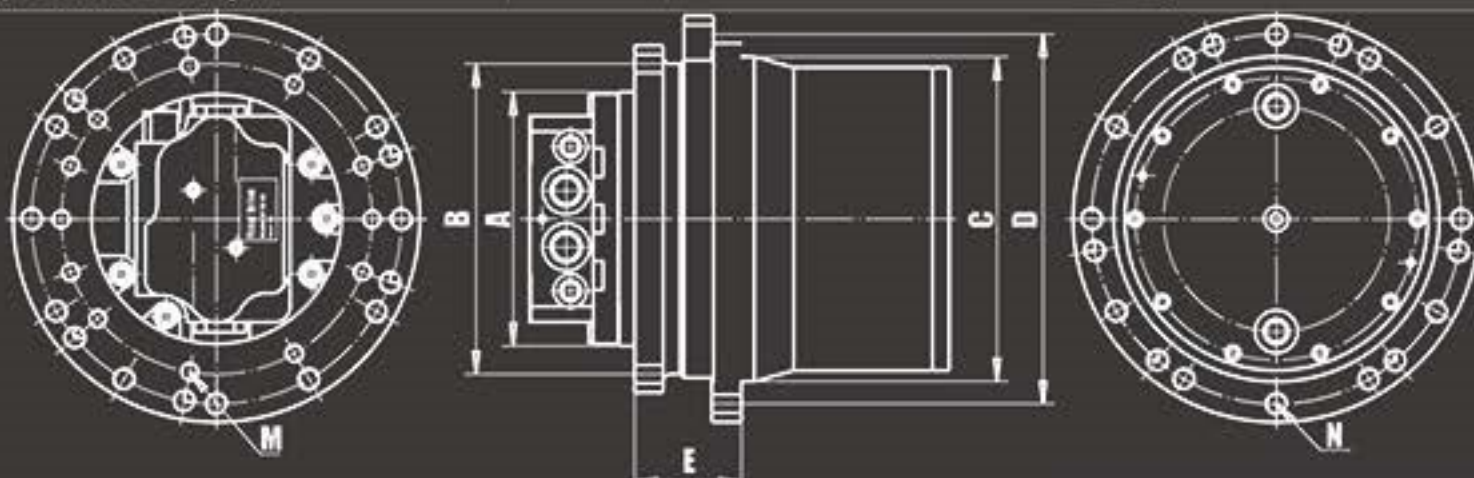
MAG-33VP-650F, JMV-044, 704 C2K.

Specifications

Input flow	50 L/min
Motor Displacement	34/19 cc/r
Working pressure	275 bar
2-Speed switching pressure	20~70 bar
Ratio options	55
Max. output torque	8100 N.m
Max. output speed	48 rpm
Machine application	5.5~6.5Ton

Connection Dimensions

Frame orientation diameter	A	200 mm
Frame holes P.C.D.	B	240 mm
Frame bolt pattern	M	9-M14 Equally
Sprocket orientation diameter	C	230 mm
Sprocket holes P.C.D.	D	262 mm
Sprocket bolt pattern	N	9-M14 Equally 12-M14 Equally
Flange distance	E	68 mm
Approximate weight		70 kg



WTM-07 Travel Motor



Key Features

- 2-speed swash-plate piston motor.
- Integrated with Planetary Reducer.
- With Parking brake and optional freewheel.
- Separated brake control available.
- Speed sensor is optional.
- Cross-reference: JMV41, TM07VC, 6TM442201.

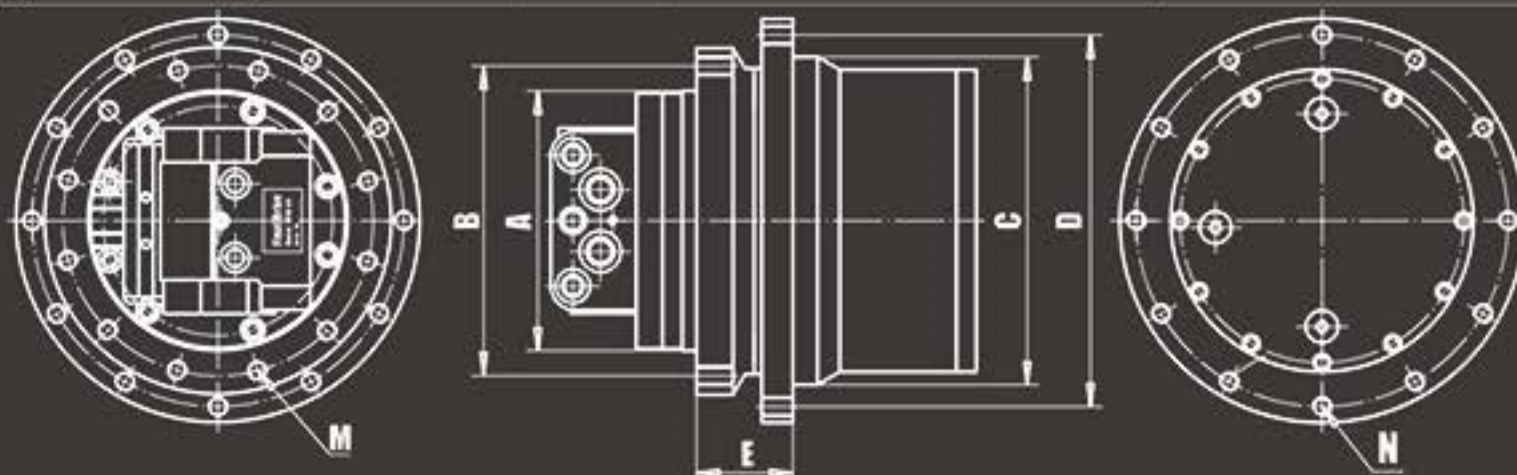


Specifications

Input flow	60 L/min	80L/min	
Motor Displacement	44/22 cc/r	53/34	
Working pressure	275 bar	300bar	
2-Speed switching pressure	20~70 bar		
Ratio options	53.7	20.8	
Max. output torque	10500 N.m	12500 N.m	5260 N.m
Max. output speed	50 rpm	44 rpm	113rpm
Machine application	6~8Ton		

Connection Dimensions

Frame orientation diameter	A	210 mm	
Frame holes P.C.D.	B	244 mm	250 mm
Frame bolt pattern	M	12-M14 Equally	12-M16 Equally
Sprocket orientation diameter	C	250 mm	
Sprocket holes P.C.D.	D	282 mm	
Sprocket bolt pattern	N	12-M14 Equally	
Flange distance	E	68 mm	
Approximate weight	75 kg		



Key Features



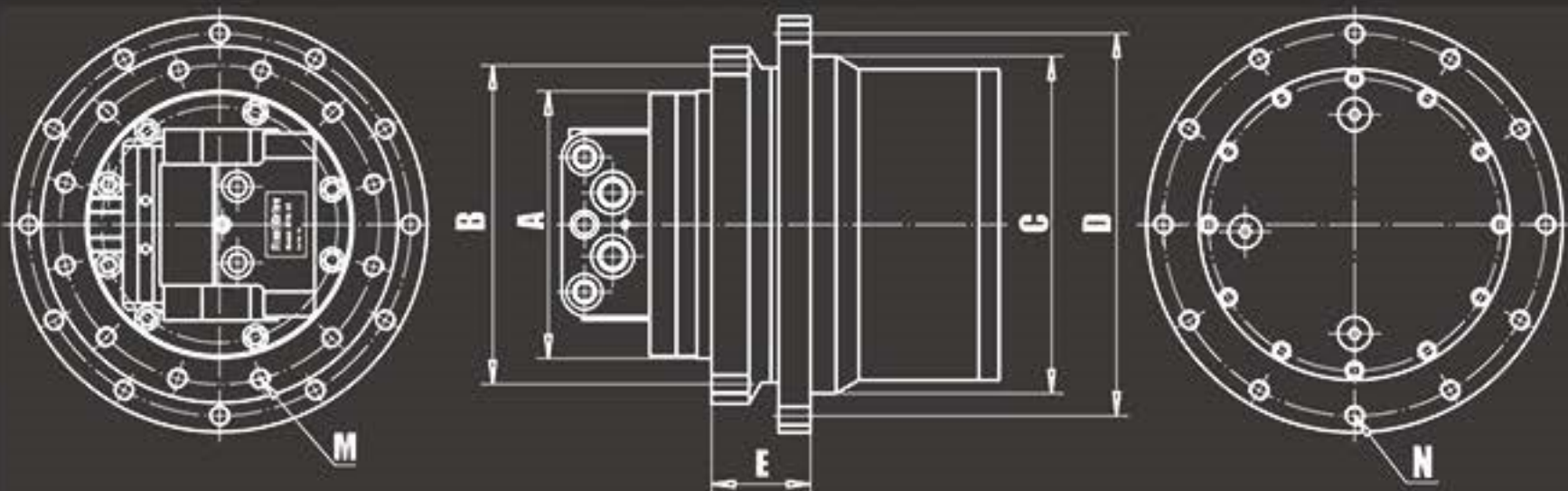
- 2-speed swash-plate piston motor.
- Integrated with Planetary Reducer.
- With Parking brake and standard freewheel.
- Separated brake control available.
- Speed sensor is optional.
- Cross-reference: PHV-5B, DM09, MAG-44VP-800, MAG-50VP-900, GM09VN, GM10VA, TM10VD, JMV047.

Specifications

Input flow	80 L/min		
Motor Displacement	53/34 cc/r	50/28cc/r	
Working pressure	300 bar		
2-Speed switching pressure	20~70 bar		
Ratio options	45.57		
Max. output torque	11500 N.m	10860 N.m	
Max. output speed	51 rpm	62 rpm	
Machine application	7~9Ton		

Connection Dimensions

Frame orientation diameter	A	210 mm		
Frame holes P.C.D.	B	250 mm		
Frame bolt pattern	M	12-M16	14- M16	12-M16
Sprocket orientation diameter	C	265 mm		
Sprocket holes P.C.D.	D	300 mm		
Sprocket bolt pattern	N	12-M14	14- M14	15-M14
Flange distance	E	80 mm		
Approximate weight	95 kg			



WTM-0902 Travel Motor



Key Features

- Compact design.
- 2-speed swash-plate piston motor.
- Integrated with Planetary Reducer.
- With Parking brake and optional freewheel.
- Cross-reference: GFT 9T2, 705 C2K.

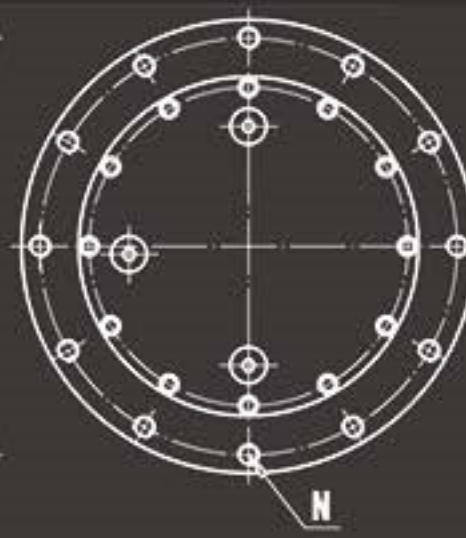
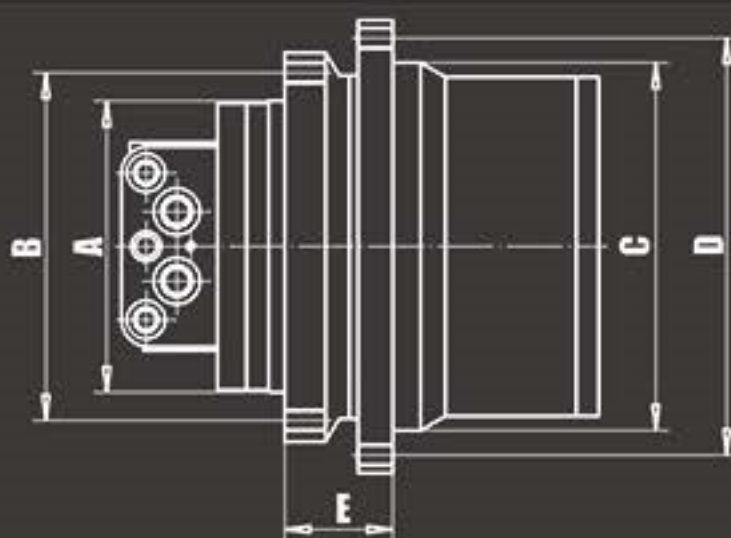
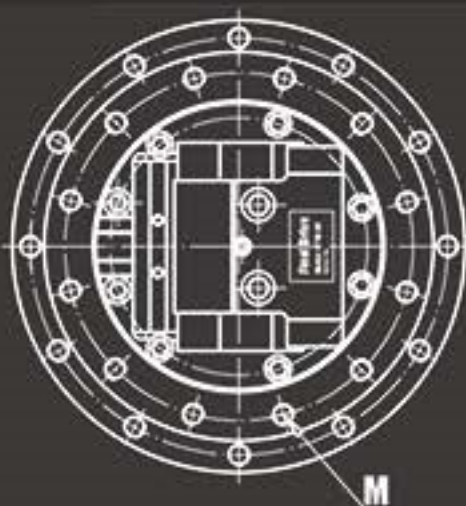


Specifications

Input flow	60 L/min	80L/min
Motor Displacement	45/23 cc/r	50/28cc/r
Working pressure	275 bar	300bar
2-Speed switching pressure	20~70 bar	
Ratio options	55.3	
Max. output torque	11000 N.m	10860 N.m
Max. output speed	47 rpm	62 rpm
Machine application	7~9Ton	

Connection Dimensions

Frame orientation diameter	A	210 mm		
Frame holes P.C.D.	B	244 mm		
Frame bolt pattern	M	12- M14		
Sprocket orientation diameter	C	230 mm		
Sprocket holes P.C.D.	D	260 mm		
Sprocket bolt pattern	N	16-M16	12- M16	12-M14
Flange distance	E	60 mm	75 mm	
Approximate weight	70 kg			



Key Features



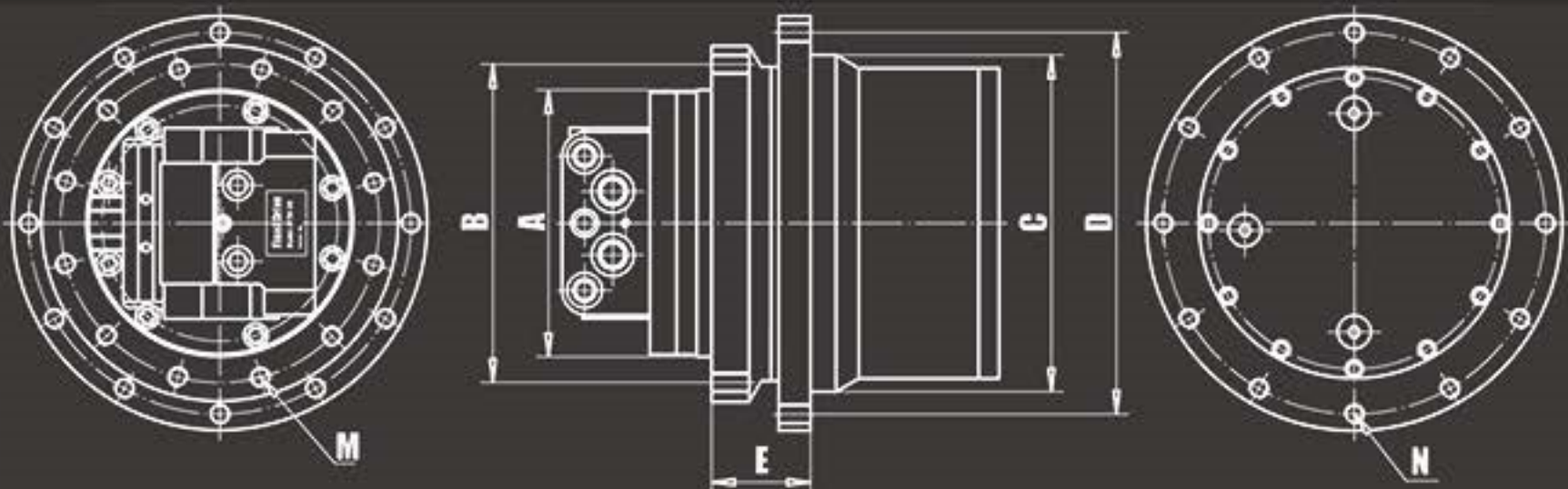
- 2-speed swash-plate piston motor.
- Integrated with Planetary Reducer.
- With Parking brake and standard freewheel.
- Separated brake control available.
- Speed sensor is optional.
- Cross-reference: TM10, GM10.

Specifications

Input flow	80L/min	
Motor Displacement	53/34 cc/r	50/26.5cc/r
Working pressure	300 bar	
2-Speed switching pressure	20~70 bar	
Ratio options	54.4	
Max. output torque	13700 N.m	12800 N.m
Max. output speed	48 rpm	55 rpm
Machine application	9~11Ton	9~10Ton

Connection Dimensions

Frame orientation diameter	A	210 mm
Frame holes P.C.D.	B	250 mm
Frame bolt pattern	M	12- M16
Sprocket orientation diameter	C	265 mm
Sprocket holes P.C.D.	D	300 mm
Sprocket bolt pattern	N	12- M14
Flange distance	E	80 mm
Approximate weight		100 kg



WTM-18 Travel Motor



Key Features

- 2-speed swash-plate piston motor.
- Integrated with Planetary Reducer.
- With Parking brake and optional freewheel.
- Cross-reference: TM18VC, GM18VL, 14TM.

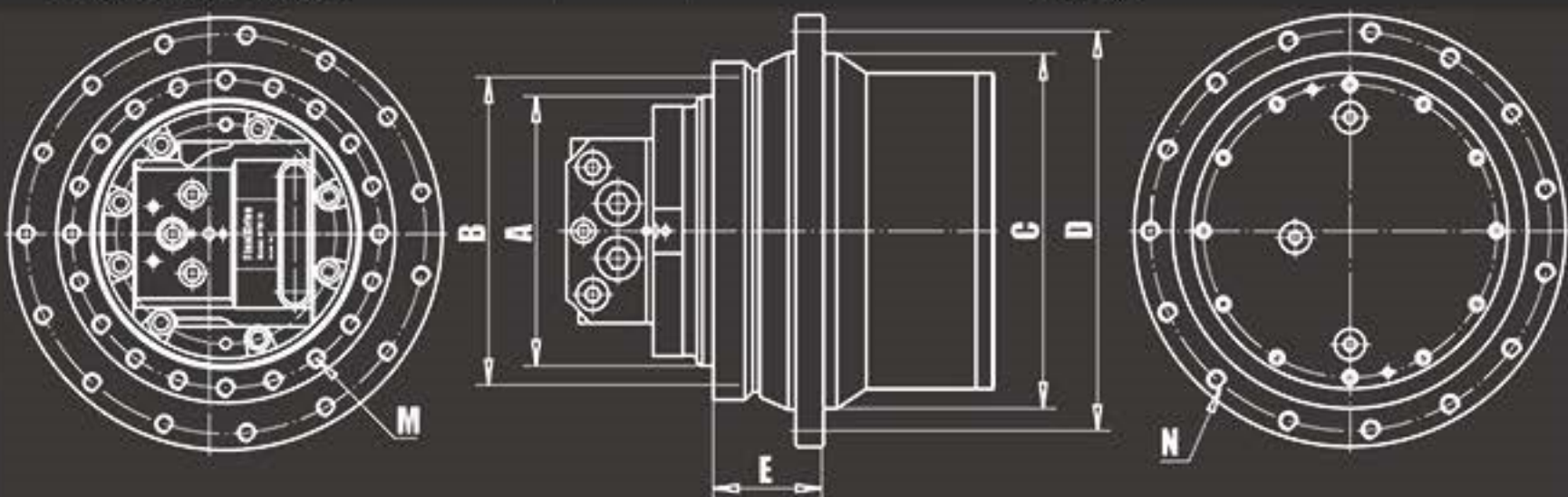


Specifications

Input flow	80L/ min
Motor Displacement	53/34 cc/r
Working pressure	300 bar
2-Speed switching pressure	20~70 bar
Ratio options	54.4
Max. output torque	13700 N.m
Max. output speed	48 rpm
Machine application	9~11Ton

Connection Dimensions

Frame orientation diameter	A	246 mm
Frame holes P.C.D.	B	280 mm
Frame bolt pattern	M	20- M16
Sprocket orientation diameter	C	324 mm
Sprocket holes P.C.D.	D	364 mm
Sprocket bolt pattern	N	15- M16
Flange distance	E	100 mm
Approximate weight		150 kg



Key Features



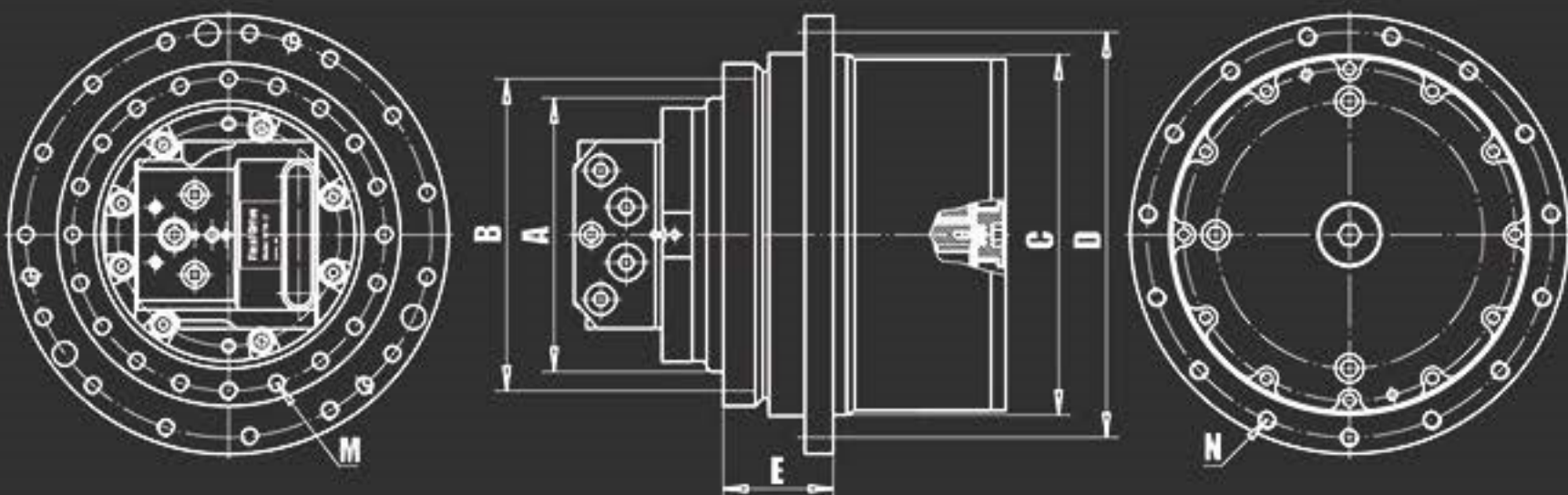
- 2-speed swash-plate piston motor.
- Integrated with Planetary Reducer.
- With Parking brake and standard freewheel.
- Cross-reference: MAG-85VP-2400,
- TM22VC, GM21VC, JMV076.

Specifications

Input flow	150 L/min		
Motor Displacement	82/54 cc/r		
Working pressure	340 bar	300 bar	275 bar
2-Speed switching pressure	20~70 bar		
Ratio options	53.7	85.1	26.5
Max. output torque	24000 N.m	33000 N.m	9500 N.m
Max. output speed	51 rpm	32 rpm	104 rpm
Machine application	13~16 Ton	18~22Ton	10~12 Ton

Connection Dimensions

Frame orientation diameter	A	246 mm
Frame holes P.C.D.	B	280 mm
Frame bolt pattern	M	20- M16
Sprocket orientation diameter	C	324 mm
Sprocket holes P.C.D.	D	364 mm
Sprocket bolt pattern	N	15+3-M16
Flange distance	E	100 mm
Approximate weight		170 kg



WTM-22C Travel Motor



Key Features

- 2-speed swash-plate piston motor.
- Integrated with Planetary Reducer.
- With Parking brake and standard freewheel.
- Cross-reference: MAG-85VP-1800.

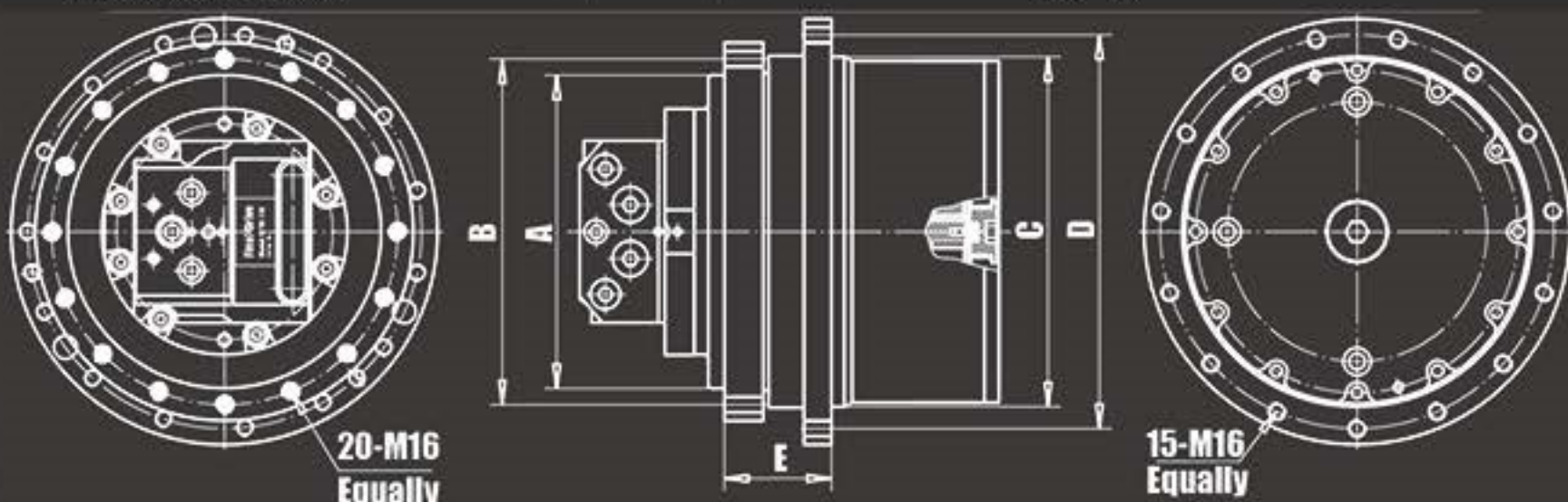


Specifications

Input flow	150L/ min
Motor Displacement	80/47 cc/r
Working pressure	300 bar
2-Speed switching pressure	20~70 bar
Ratio options	53
Max. output torque	20500 N.m
Max. output speed	59 rpm
Machine application	12~16Ton

Connection Dimensions

Frame orientation diameter	A	290 mm
Frame holes P.C.D.	B	320 mm
Frame bolt pattern	M	26-M16
Sprocket orientation diameter	C	324 mm
Sprocket holes P.C.D.	D	364 mm
Sprocket bolt pattern	N	15+3- M16
Flange distance	E	85 mm
Approximate weight		200 kg



Key Features



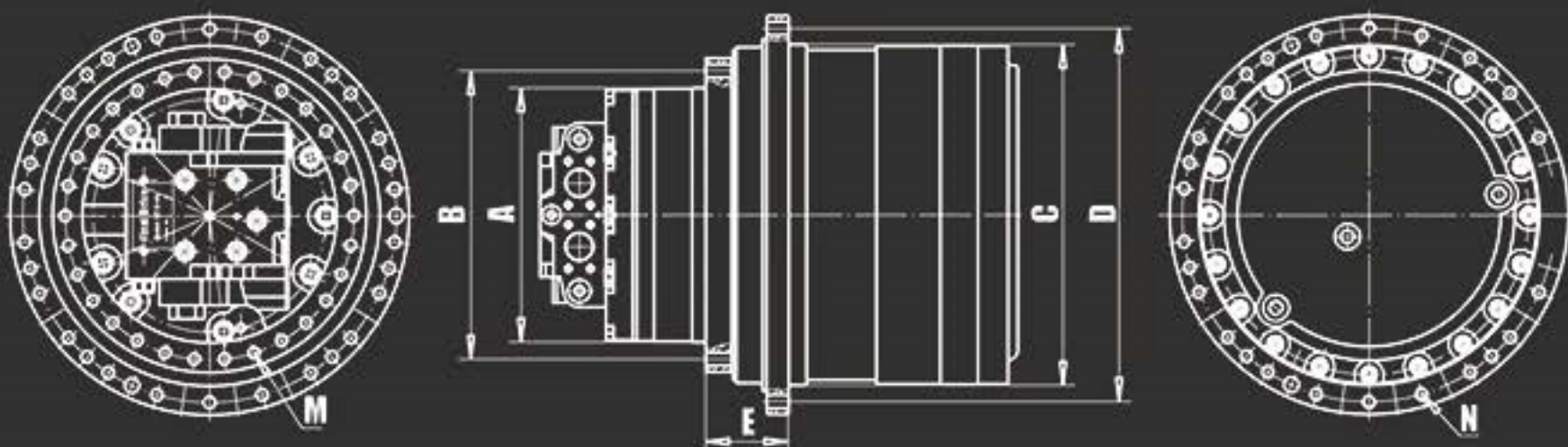
- 2-speed swash-plate piston motor.
- Integrated with Planetary Reducer.
- With Parking brake and standard freewheel.
- Separated brake control available.
- Thread port and flange port available.
- Cross-reference: MAG-170VP-3800, TM40VA, GM38VB, JMV147, 710 C2K..

Specifications

Input flow	260L/ min
Motor Displacement	180/95 cc/r
Working pressure	343 bar
2-Speed switching pressure	20~70 bar
Ratio options	48
Max. output torque	47100 N.m
Max. output speed	57 rpm
Machine application	18~22 Ton

Connection Dimensions

Frame orientation diameter	A	300 mm
Frame holes P.C.D.	B	340 mm
Frame bolt pattern	M	36- M16
Sprocket orientation diameter	C	402 mm
Sprocket holes P.C.D.	D	440 mm
Sprocket bolt pattern	N	30- M16
Flange distance	E	98 mm
Approximate weight		380 kg



WTM-60 Travel Motor



Key Features

- 2-speed swash-plate piston motor.
- Integrated with Planetary Reducer.
- With Parking brake and standard freewheel.
- Separated brake control available.
- Thread port.
- Cross-reference: MAG-230VP-6000, TM50VC, GM60VA, JMV155.

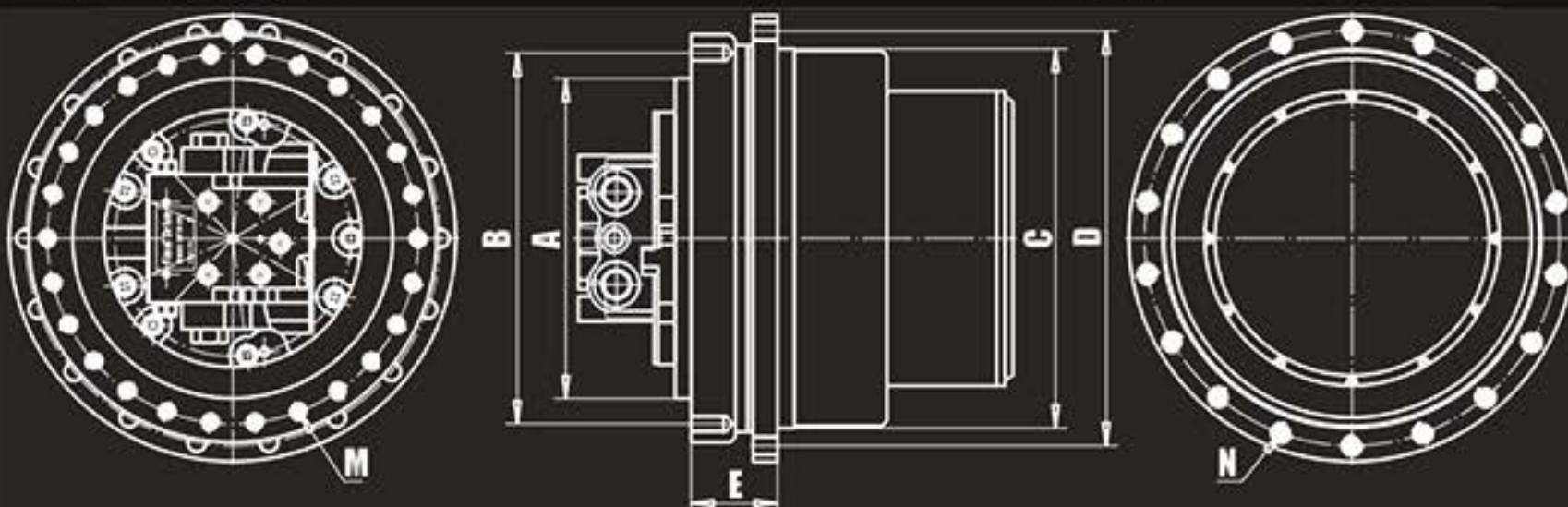


Specifications

Input flow	300 L/ min
Motor Displacement	180/110 cc/r
Working pressure	343 bar
2-Speed switching pressure	20~70 bar
Ratio options	64.8
Max. output torque	63680 N.m
Max. output speed	42 rpm
Machine application	25~32 Ton

Connection Dimensions

Frame orientation diameter	A	380 mm
Frame holes P.C.D.	B	440 mm
Frame bolt pattern	M	26-M20
Sprocket orientation diameter	C	450 mm
Sprocket holes P.C.D.	D	492 mm
Sprocket bolt pattern	N	18- M24
Flange distance	E	102 mm
Approximate weight		500 kg



Key Features



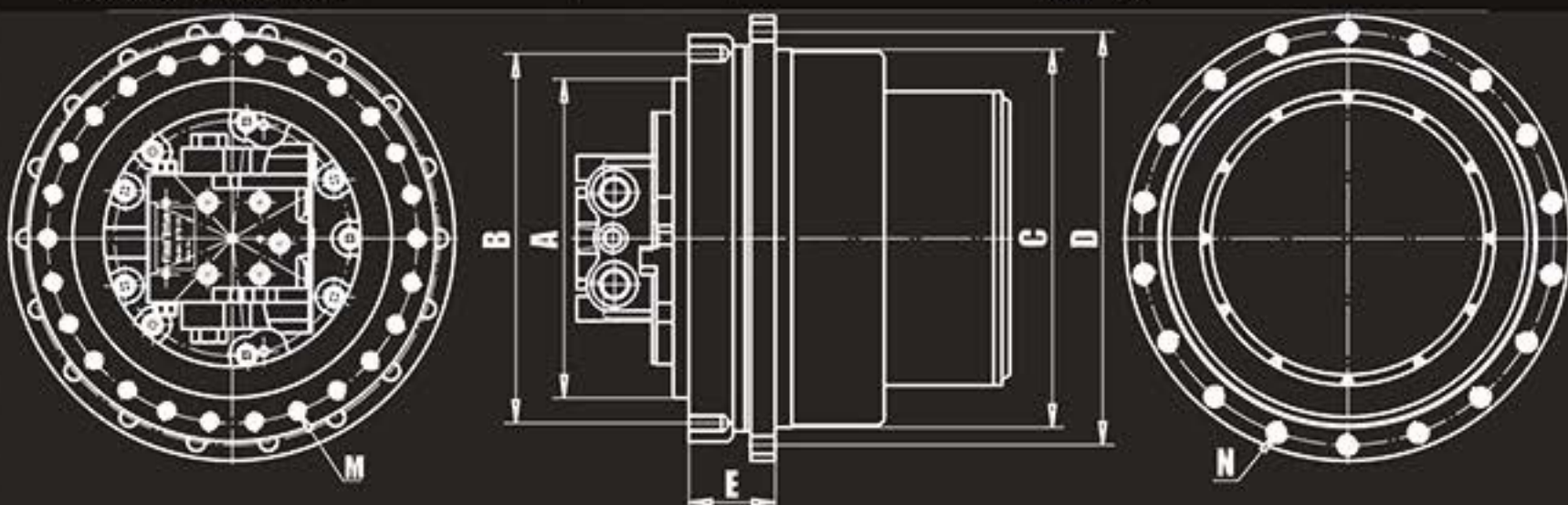
- Highly efficient swash plate axial piston motor.
- 2-speed motor with a high ratio for various applications.
- Build-in parking brake.
- Compact structure and light weight.
- Reliable quality and long-lasting durability.
- Smooth operation, low noise.
- Automatic speed limiter (optional).
- Freewheel (optional).
- Cross-reference: TM60VD, TM70VC.


Specifications

Input flow	300L/ min
Motor Displacement	180/110 cc/r
Working pressure	343 bar
2-Speed switching pressure	20~70 bar
Ratio options	79
Max. output torque	77500 N.m
Max. output speed	34.5 rpm
Machine application	34~40 Ton

Connection Dimensions

Frame orientation diameter	A	380 mm
Frame holes P.C.D.	B	425 mm
Frame bolt pattern	M	20-M24
Sprocket orientation diameter	C	490 mm
Sprocket holes P.C.D.	D	535 mm
Sprocket bolt pattern	N	28- M20
Flange distance	E	112 mm
Approximate weight		500 kg





As your reliable OEM travel motor supplier, has a high standard intelligent automatic machining workshop. All the key parts are made by CNC machining centers imported from Japan. Dust-free assembly workshop keeps our core parts away from dust contamination. Highly precise inspection and testing systems ensure that every part and assembly is qualified for use. 100% testing and trial runs give us confidence in every motor we deliver to our clients.