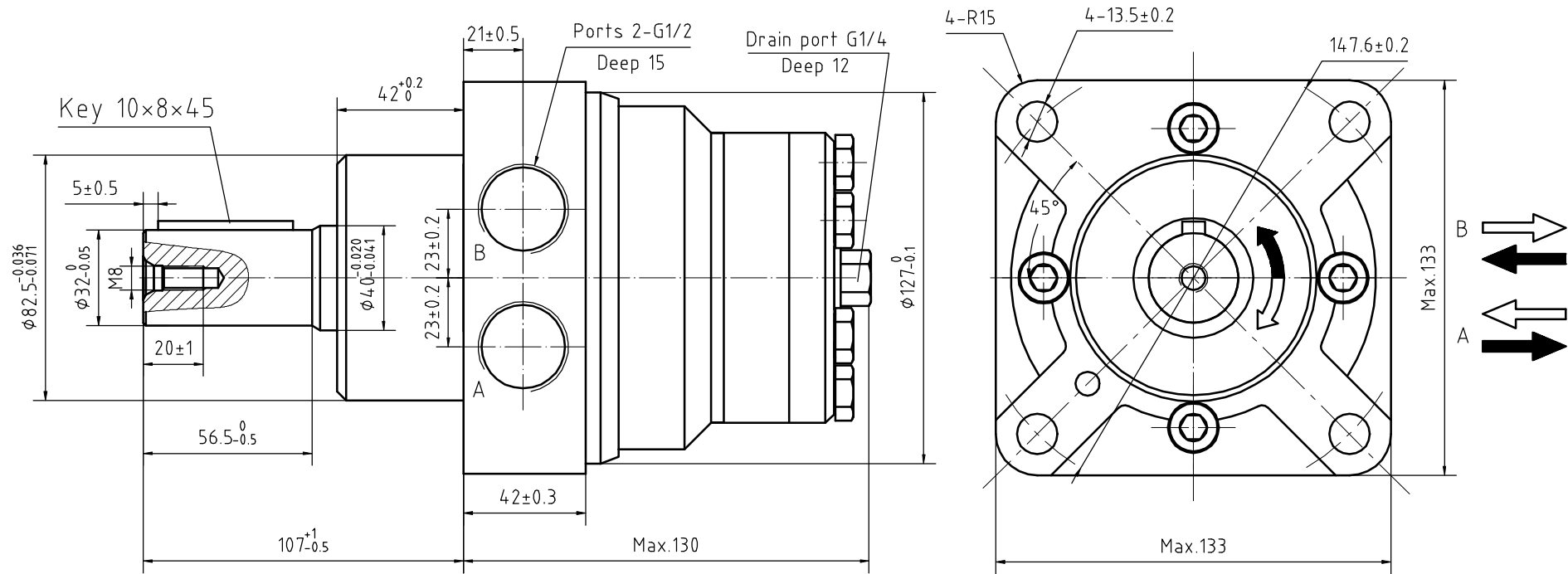
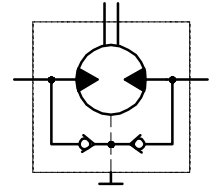
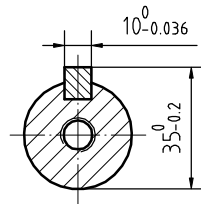


Standard Rotation
Viewed from Shaft End

Port A Pressurized-CW
Port B Pressurized-CCW



1. Displacement: 80.5ml/r;
2. Max. pressure:17.5Mpa;
3. Max.torque:190Nm;
4. Max. speed:745r/min;
5. Max.Flow:60L/min;
6. Max.output Power:12.5Kw.



Orbital motor

AHMRYW1-80R5AY10T7



Do not try to interpret the technical drawing, please contact us if you are in any doubt about it.

REPRODUCTION NOT PERMITTED ALL RIGHT RESERVED