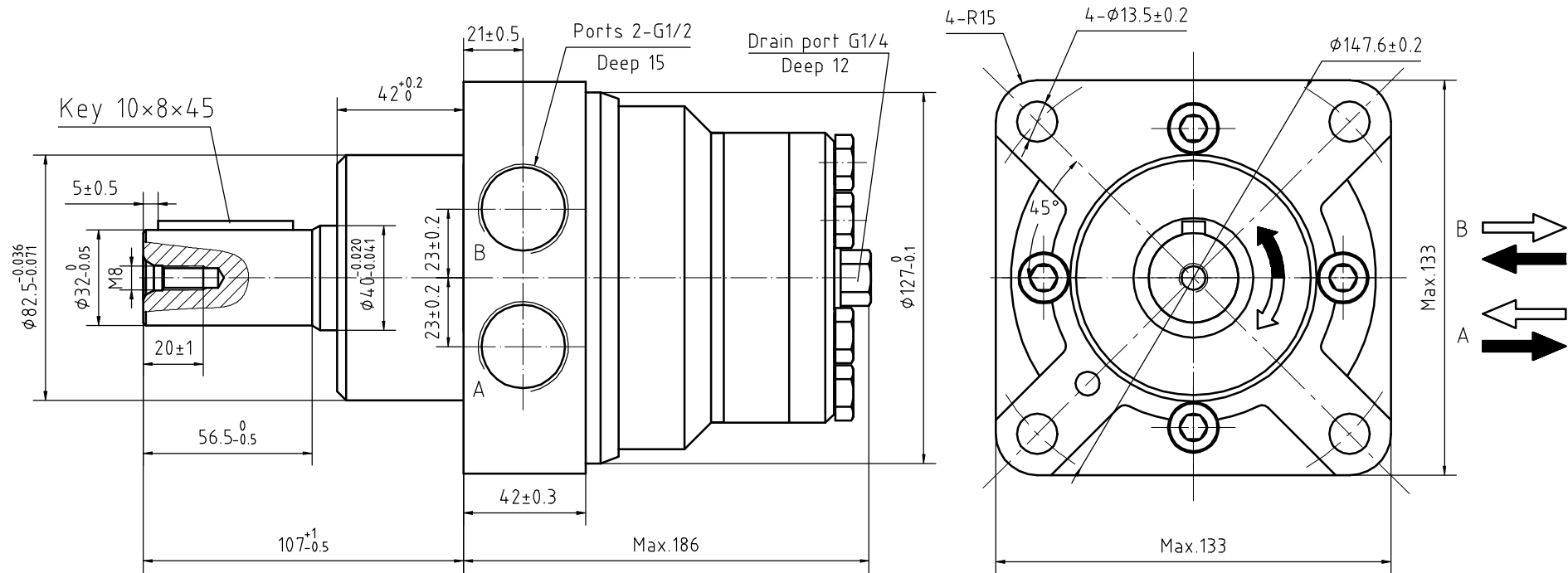
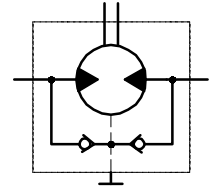
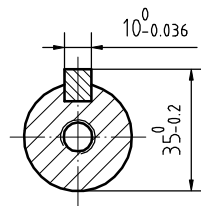


Standard Rotation  
Viewed from Shaft End

Port A Pressurized-CW  
Port B Pressurized-CCW



1. Displacement: 401.9ml/r;
2. Max. pressure:10Mpa;
3. Max.torque:510Nm;
4. Max. speed:150r/min;
5. Max.Flow:60L/min;
6. Max.output Power:6.5Kw.



Orbital motor	
AHMRYW1-400R5AY10T7	

Do not try to interpret the technical drawing, please contact us if you are in any doubt about it.

REPRODUCTION NOT PERMITTED ALL RIGHT RESERVED