

AH-ZDB10...type Modular Relief Valve

AH-ZDB / Z2DB 10..40S...type



Size 10
Max. Working Pressure: 315 bar
Max. Flow: 100 L/min

Contents

Function and configuration	02
Symbols	02
Specification	03
Technical data	03
Characteristic curves	03
Unit dimensions	04-06

Features

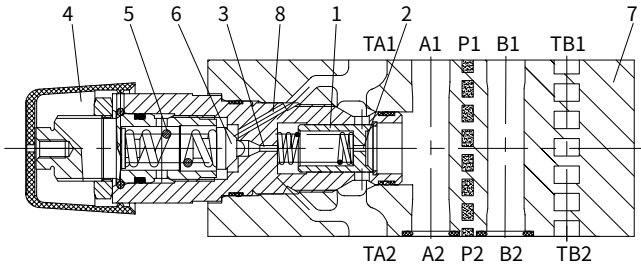
- Sandwich plate valve
- Porting pattern to DIN 24 340 form A and ISO 4401
- For threaded connection, and sub-plate mounting
- 4 pressure ratings
- 6 circuit options
- With one or two pressure relief cartridges
- 4 adjustment elements:
 - Rotary knob
 - Adjustable bolt with protective cap
 - Lockable rotary knob with scale
 - Rotary knob with scale

Function and configuration

AH-ZDB and AH-Z2DB type pressure valve is pilot operated relief valve in sandwich plate design. It is used for limiting a system pressure. It consists of the housing (7), together with one or two pressure relief valves cartridges. And the system pressure is set by means of relief valve(4).

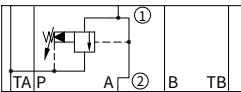
In the initial position, the valves are closed. Pressure in port A acts on the spool (1). Pressure fluid flows through orifice (2) to the spring loaded side of the spool (1) and through orifice (3) to the pilot poppet(6). If the pressure in port A rises beyond the value setting at spring (5), the pilot poppet (6) opens. Fluid can flow from the spring loaded side of spool (1), orifice (3), and channel (8) into port T. The pressure drop moves spool (1) to open the connection from A to T, while the setting pressure at spring (5) is maintained. Pilot oil returns from the two spring chambers via port T externally.

Type AH-ZDB10VA2-40S/...

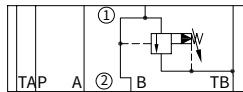


Symbols

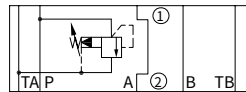
Type AH-ZDB10VA..



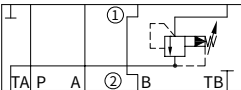
Type AH-ZDB10VB..



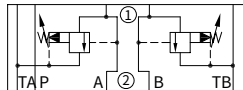
Type AH-ZDB10VP..



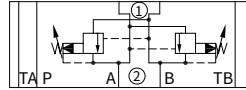
Type AH-ZDB10VT..



Type AH-Z2DB10VC..



Type AH-Z2DB10VD..



① = valve side ② = sub-plate side

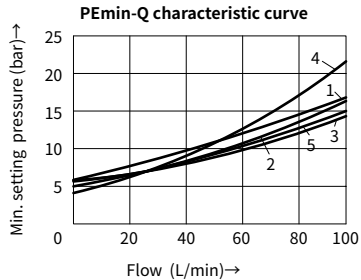
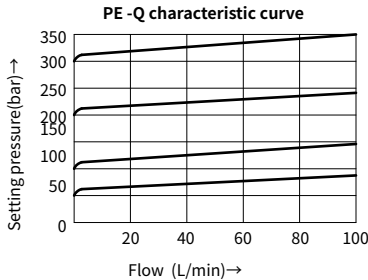
Specifications

AH-Z		DB		10		- 40S/		*	
Sandwich plate = AH-Z								Further details in clear text	
Only applies to models VC and VD: With 2 pressure relief valve cartridges =2								No code = NBR seals V = FKM seals	
Pressure relief valve = DB								50 = Pressure adjustable up to 50bar 100 = Pressure adjustable up to 100bar 200 = Pressure adjustable up to 200bar 315 = Pressure adjustable up to 315bar	
Nominal size 10 =10								40S = Series 40S to 49S (40S to 49S: unchanged installation and connection dimensions)	
Relief function from → to:								1= Rotary knob 2= Adjustable bolt with protective cap 3= Lockable rotary knob with scale 7= Rotary knob with scale	
A → TA								=VA	
P → TA								=VP	
TB1 → TA2								=VT	
B → TB								=VB	
A → TA and B → TB								=VC	
A → B and B → A								=VD	

Technical data

Fluid	Mineral oil suitable for NBR and FKM seal Phosphate ester for FKM seal		
Fluid temperature range	°C	-30 to +80 (NBR seal) -20 to +80 (FKM seal)	
Viscosity range	mm ² /s	10 to 800	
Degree of contamination	Maximum permissible degree of fluid contamination: Class 9. NAS 1638 or 20/18/15, ISO4406		
Max. operating pressure	bar	to 315	
Max. adjustable pressure	bar	50;100;200;315	
Max. flow-rate	L/min	100	
Weight	Type AH-ZDB10	kg	Approx.2.7
	Type AH-Z2DB10	kg	Approx.3.1

Characteristic curves (Measured at t=40°C ±5°C, using HLP46)



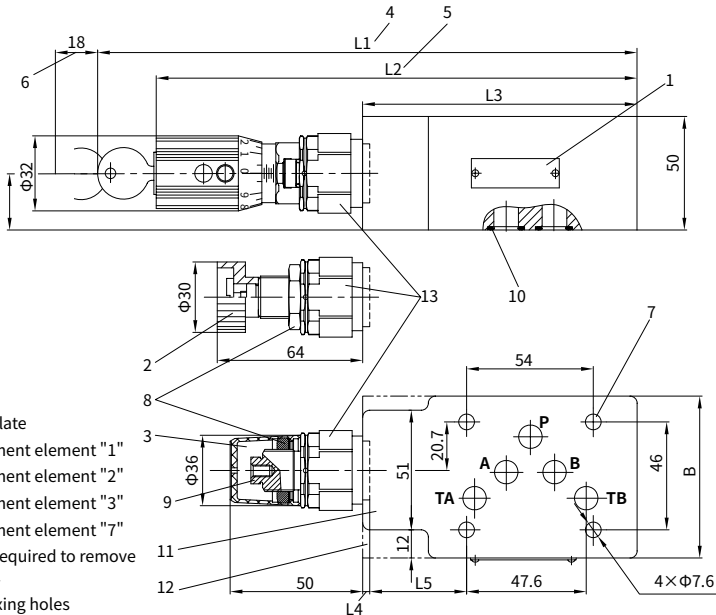
The curves were measured at zero back pressure.

- 1. VD(A to B)
- 2. VA
- 3. VB and VC
- 4. VP and VD(B to A)

Unit dimensions

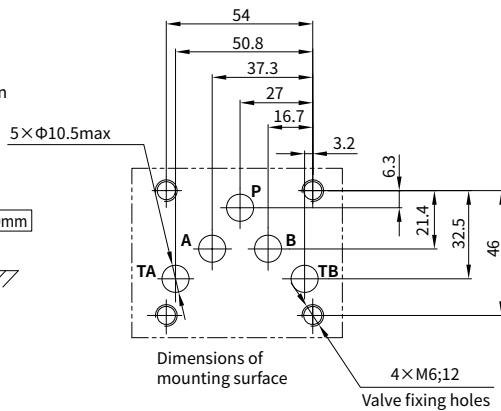
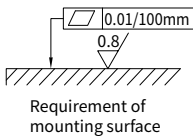
(Dimensions in mm)

Type AH-ZDB10VA...40S/.. Type AH-ZDB10VP...40S/.. Type AH-ZDB10VT...40S/..



- 1 Nameplate
- 2 Adjustment element "1"
- 3 Adjustment element "2"
- 4 Adjustment element "3"
- 5 Adjustment element "7"
- 6 Space required to remove the key
- 7 Valve fixing holes
- 8 Lockable nut S=24
- 9 External hexagon screw S=10
- 10 O-ring 12×2 (A2,B2,P2,TA2,TB2)
- 11 Type AH-ZDB10 VA and VP version
- 12 Type AH-ZDB10 VT version
- 13 External hexagon S=30

Tightening torque $M_s=50Nm$

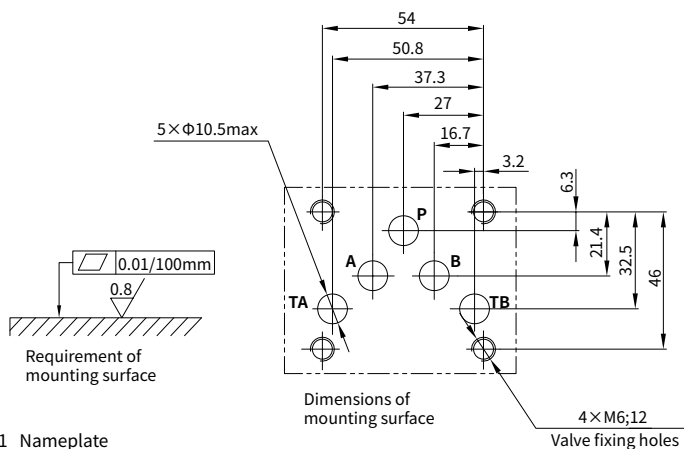
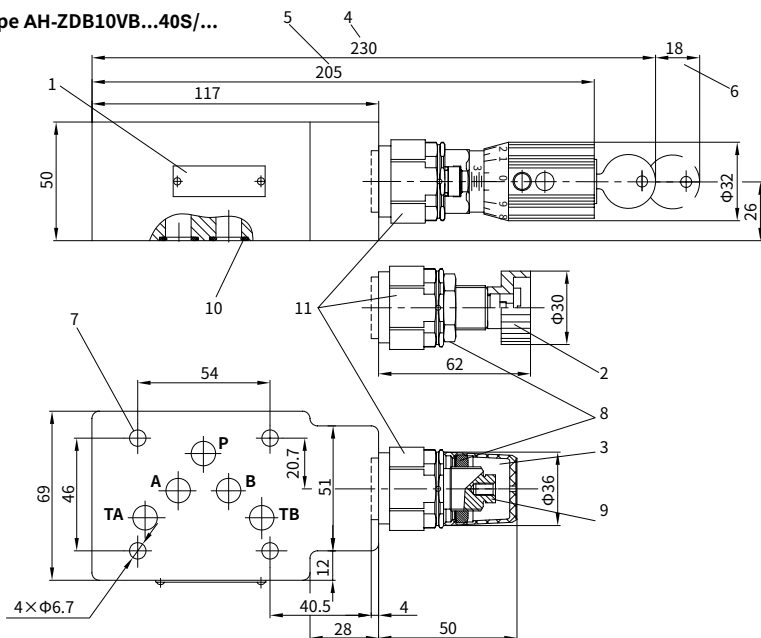


Type	B	L1	L2	L3	L4	L5
VA and VP	69	230	205	117	4	40.5
VT	70	218	193	105	2	27.8

Unit dimensions

(Dimensions in mm)

Type AH-ZDB10VB...40S/...



- 1 Nameplate
- 2 Adjustment element "1"
- 3 Adjustment element "2"
- 4 Adjustment element "3"
- 5 Adjustment element "7"
- 6 Space required to remove the key
- 7 Valve fixing holes

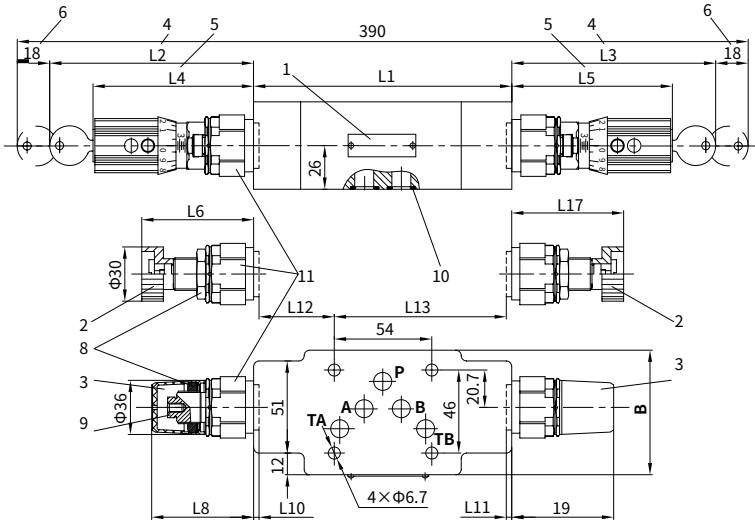
- 8 Lockable nut $S=24$
 - 9 External hexagon screw $S=10$
 - 10 O-ring 12×2 (A2,B2,P2,TA2,TB2)
 - 11 External hexagon $S=30$
- Tightening torque $M_A=50 \text{ Nm}$

Unit dimensions

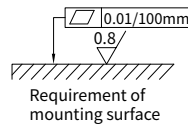
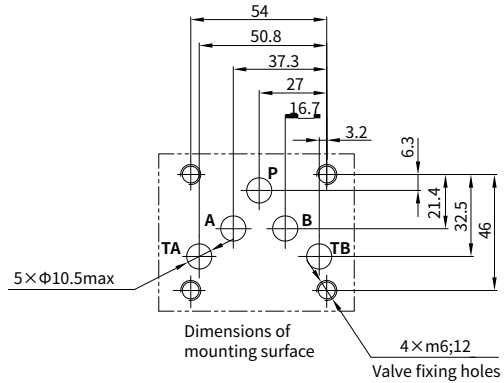
(Dimensions in mm)

Type AH-Z2DB10VC...40S/..

Type AH-Z2DB10VD...40S/..



- 1 Nameplate
- 2 Adjustment element "1"
- 3 Adjustment element "2"
- 4 Adjustment element "3"
- 5 Adjustment element "7"
- 6 Space required to remove the key
- 7 Valve fixing holes
- 8 Lockable nut S=24
- 9 External hexagon bolt S=10
- 10 O-ring 12x2 (A2,B2,P2,TA2,TB2)
- 11 External hexagon S=30
Tightening torque $M_A = 50 \text{ Nm}$



Type	B	L1	L2	L3	L4	L5	L6	L7	L8	L9	L10	L11	L12	L13
VC	69	123	115	116	90	91	64	65	52	53	2	1	32.5	87.5
VD	70	132	111	111	86	86	60	60	48	48	6	6	33	87