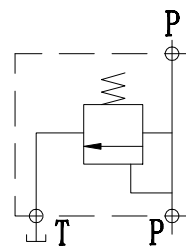
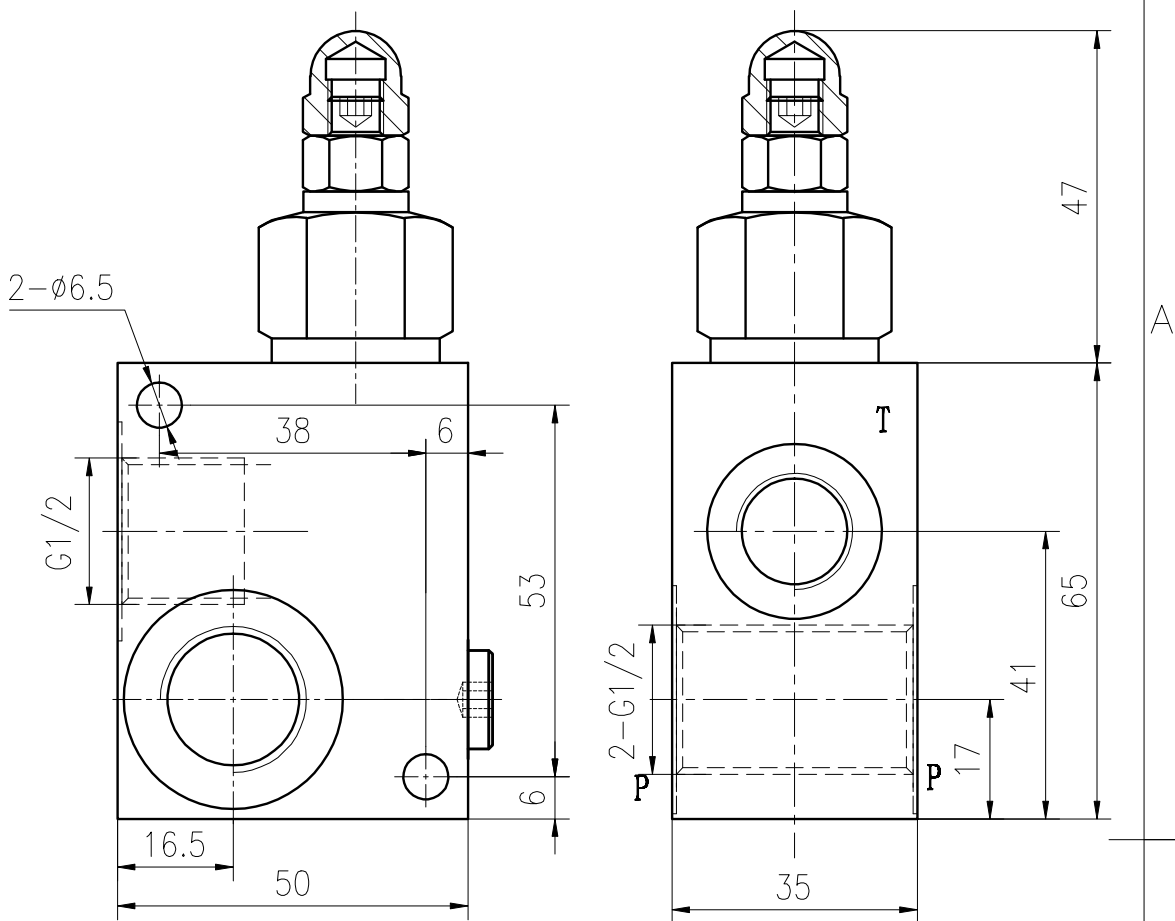


VMP-G1/2-CG



Max. pressure: 350 bar  
 Pressure set.: 80-300 bar  
 Flowrate: 70 l/min



1:1

VMP-G1/2-CG